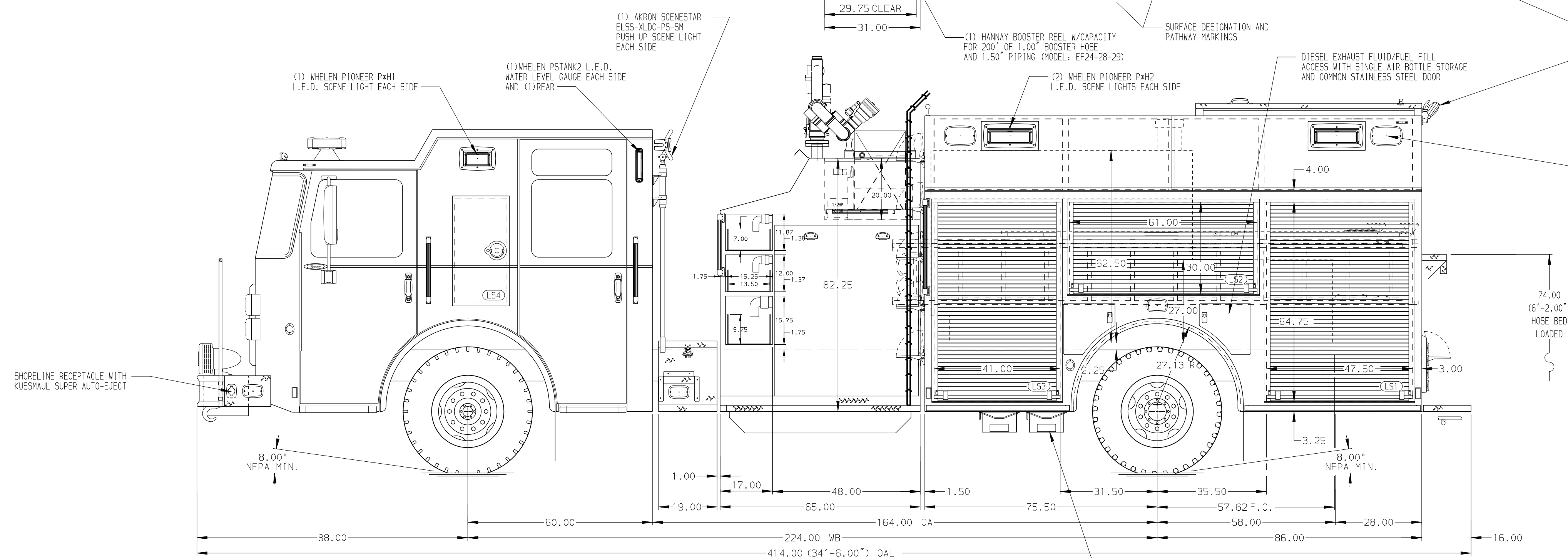
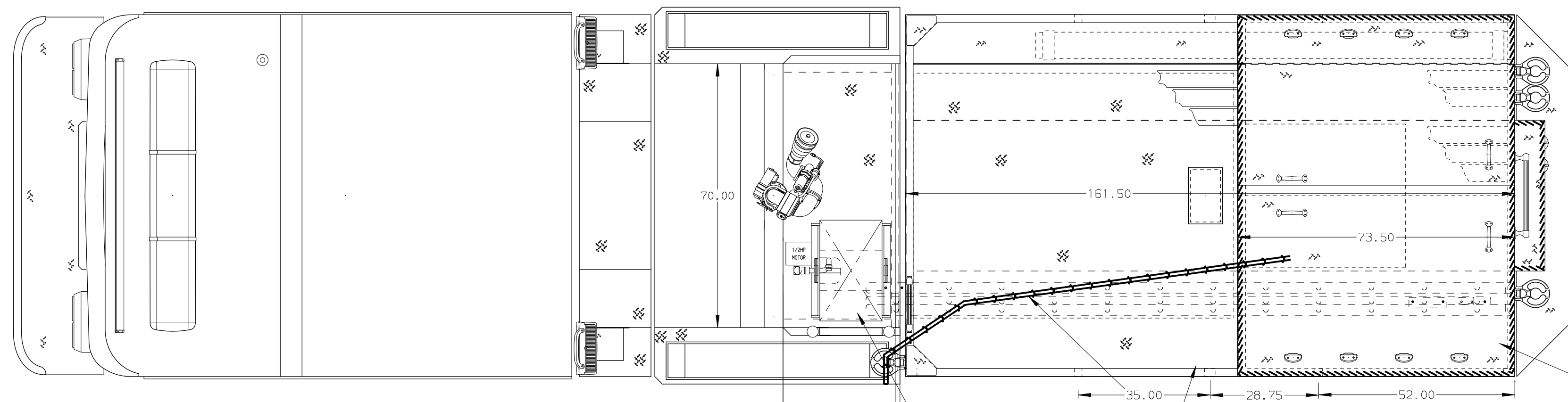


126.00 (10'-6") APPROX O.A.H.

- HOSEBED CAPACITIES**
- ① 300' OF 3.00" D.J. POLY HOSE
 - ② 1000' OF 5.00" D.J. POLY HOSE
 - ③ 250' OF 2.50" D.J. POLY HOSE



ALUMINUM BODY

NOTE
 DIMENSIONS SHOWN ARE APPROXIMATE AND ARE SUBJECT TO MINOR DEVIATIONS AS MAY OCCUR OR BE NECESSARY IN CONSTRUCTION. MINOR DETAILS NOT SHOWN.

- 1. BATTERY CHARGER/COMPRESSOR LOCATED PER ORDER
- 2. BATTERY CHARGER INDICATOR LOCATED ON DRIVER'S SEAT RISER
- 3. DUAL L.E.D. LIGHT STRIPS LOCATED IN HOSE BED
- 4. DRIP PAN GUARD FOR ROLL-UP DOOR LOCATED PER ORDER
- 5. ELEVEN FULL WIDTH/DEPTH ADJUSTABLE SHELF LOCATED PER ORDER
- 6. TWO ADJUSTABLE SLIDE-OUT TRAY LOCATED PER ORDER
- 7. THREE FLOOR MOUNTED SLIDE-OUT TRAY LOCATED PER ORDER
- 8. TWO SLIDE-OUT ALUMINUM TOOL BOARD LOCATED PER ORDER
- 9. ONE VERTICAL DIVIDER LOCATED PER ORDER
- 10. THREE ADDITIONAL POLY TRAYS SHIPPED LOOSE
- 11. AIR INLET DISCONNECT LOCATED PER ORDER
- 12. TWO RETAINING ANGLES

CUSTOMER APPROVAL			
APPROVED BY:			
DATE:			
REV	DATE	BY	CH
29DEC21		CDU	CDU
			SABER FR

		JOB NO.	36979
		SCALE	DATE
TITLE	2000-D-1000 WATER, 161" FH FDLER LEFT SIDE, FH FD RIGHT SIDE, LDRS. BTWN TANK & S. SHEET, (3) SP. LAYS	DRAWN BY	KE5
FOR	LEE COUNTY FIRE & RESCUE BISHOPVILLE, SOUTH CAROLINA	CHECKED BY	EGO
DWG NO.	36979AD	SHEET SIZE	SHEET NO.
		D	1 OF 1