

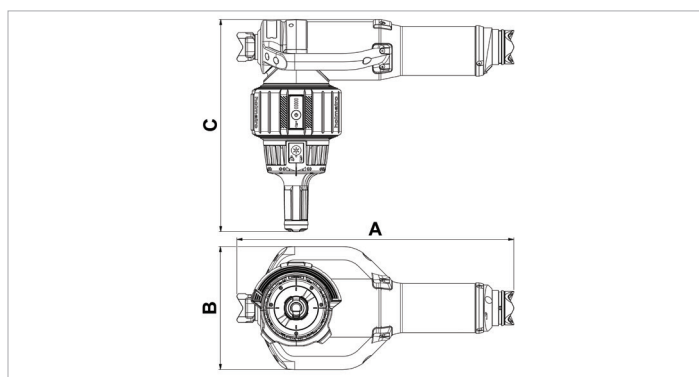
Technical specification sheet

PTR50 | Telescopic Ram

| Specifications | | |
|----------------------------------|-------|-----------------------|
| article number | | 159.000.062 |
| model | | PTR50 |
| short description | | Telescopic Ram |
| max. working pressure | psi | 7832 |
| battery included | | no |
| spreading stroke 1st plunger | in | 15.9 |
| spreading stroke 2nd plunger | in | 15 |
| total spreading stroke | in | 31 |
| retracted length | in | 22.8 |
| extended length | in | 53.7 |
| max. spreading force 1st plunger | lbf | 30574 |
| max. spreading force 2nd plunger | lbf | 14613 |
| protection rate | | IP57 |
| sound emission @ 1m/3.25ft | dB(A) | 73 |
| sound emission @ 4m/13ft | dB(A) | 64 |
| hydraulic oil type | | ISO-L HV VG 36 |
| number of plungers | | 2 |
| weight, ready for use | lb | 43.9 |
| temperature range | °F | -4 + 131 |
| weight excl. battery | lb | 40.6 |
| dimensions (AxBxC) | in | 22.8 x 10.1 x 17.4 |
| EN 13204 classification | | TR136/405-65/382-19.9 |
| EN 13204 compliant | | yes |
| NFPA 1936, HSF | lbf | 30574 |
| NFPA 1936, LSF | lbf | 14613 |
| NFPA 1936 compliant | | yes |

| Safety factors / tests | |
|----------------------------------|---------------------------------------------------|
| hydraulic safety factor | 2:1 |
| endurance test tool | 1000 cycles of spreading while the tool is loaded |
| endurance test dead man's handle | 6000 cycles |

| Required articles | |
|-------------------------------|-------------|
| Battery PBPA287 | 151.000.583 |
| Battery Charger PBCH2 (AC-US) | 151.000.742 |
| Battery Charger PBCH3 (DC) | 151.000.632 |



holmatro.com

© Holmatro 2020-09-22

While the greatest care has been devoted to the content, it is possible that the information in this printed matter is incorrect or incomplete. Holmatro B.V. and its affiliated companies (hereafter: Holmatro) cannot be held liable in any way for the consequences of activities undertaken on the basis of this printed matter. Values can vary within the manufacturer measurements. If you have any doubts about the correctness or completeness of the information, you shall contact Holmatro (T +31 (0)162-751480). Nothing from this printed matter can be copied and/or made public in any way without the explicit authorisation of Holmatro.