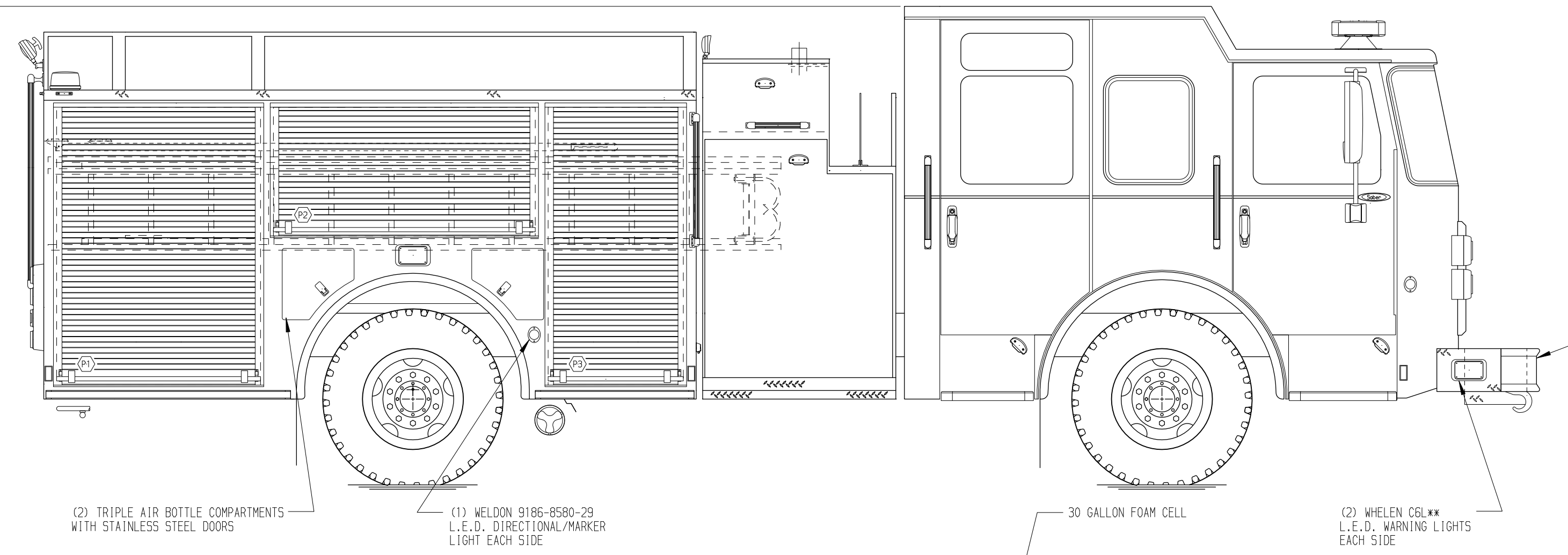
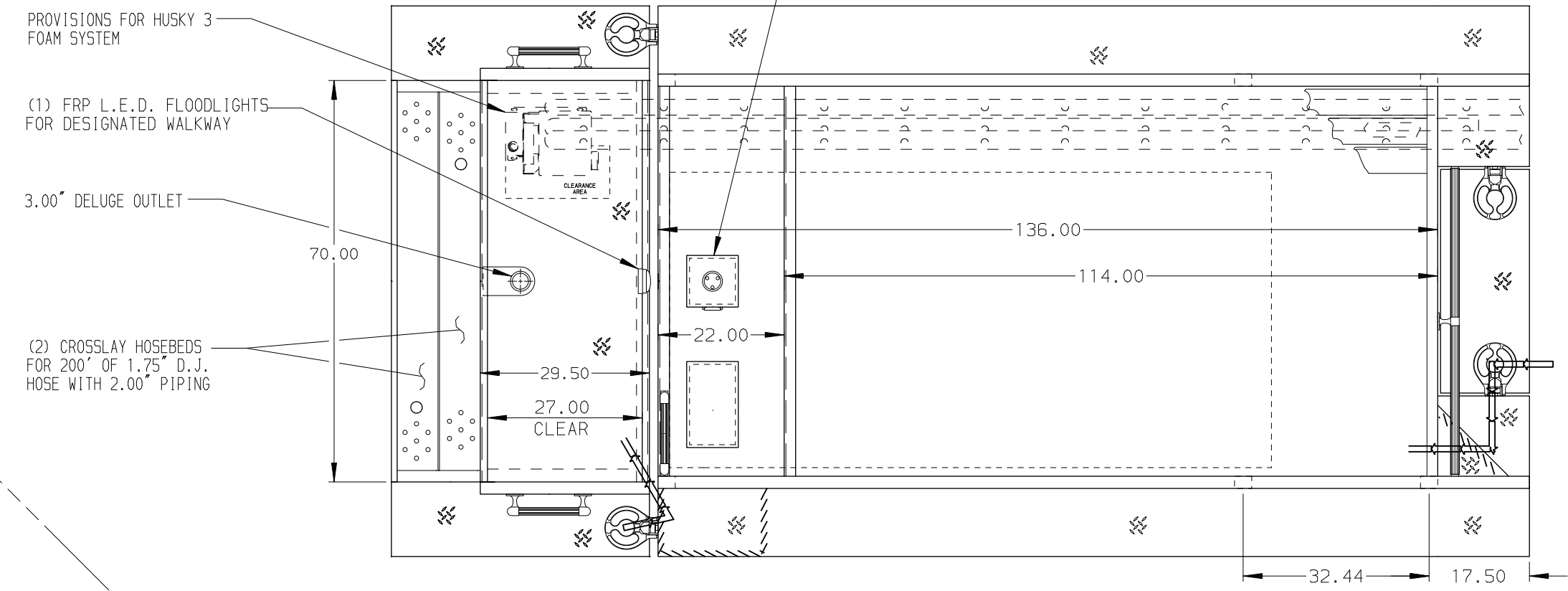
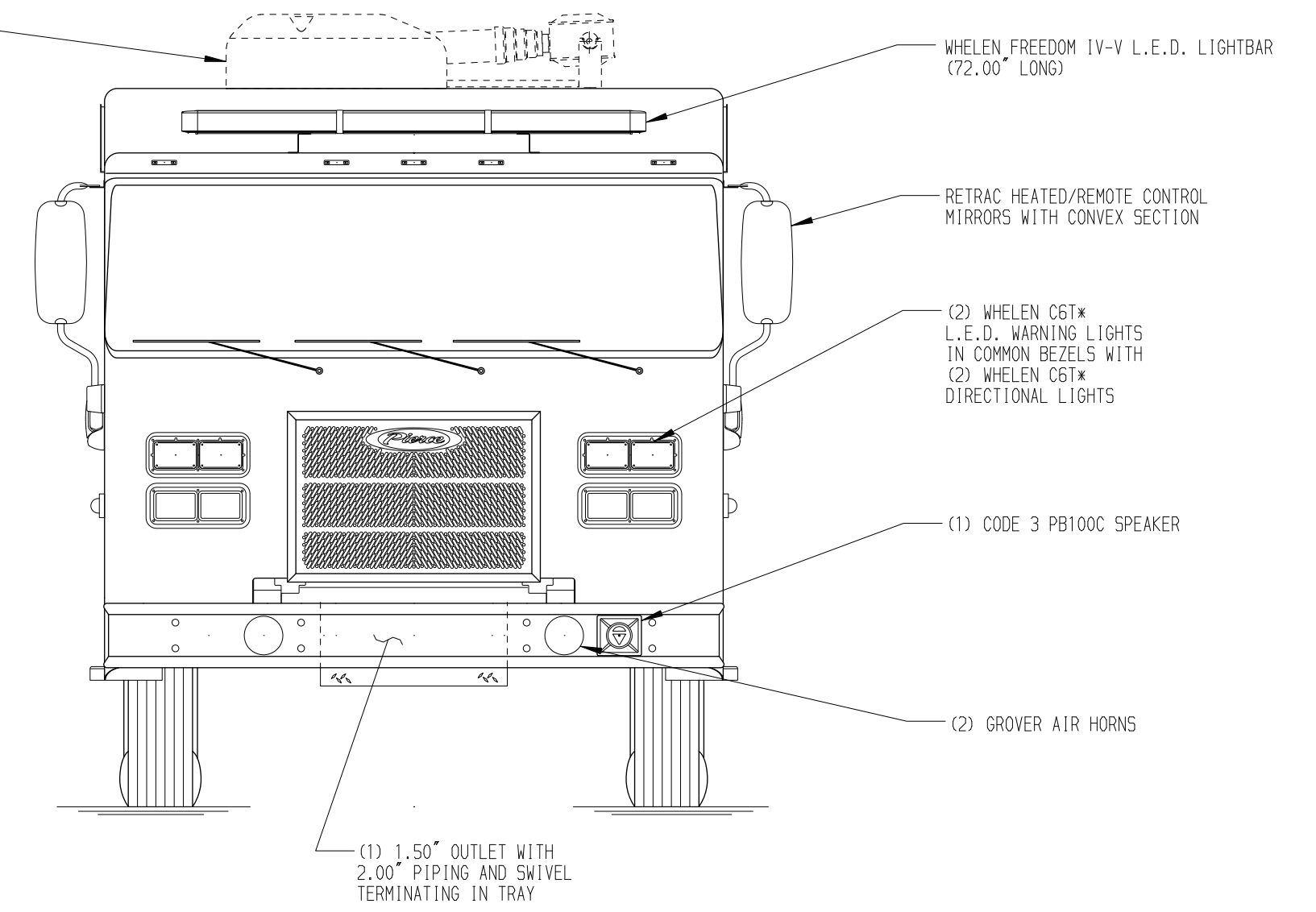


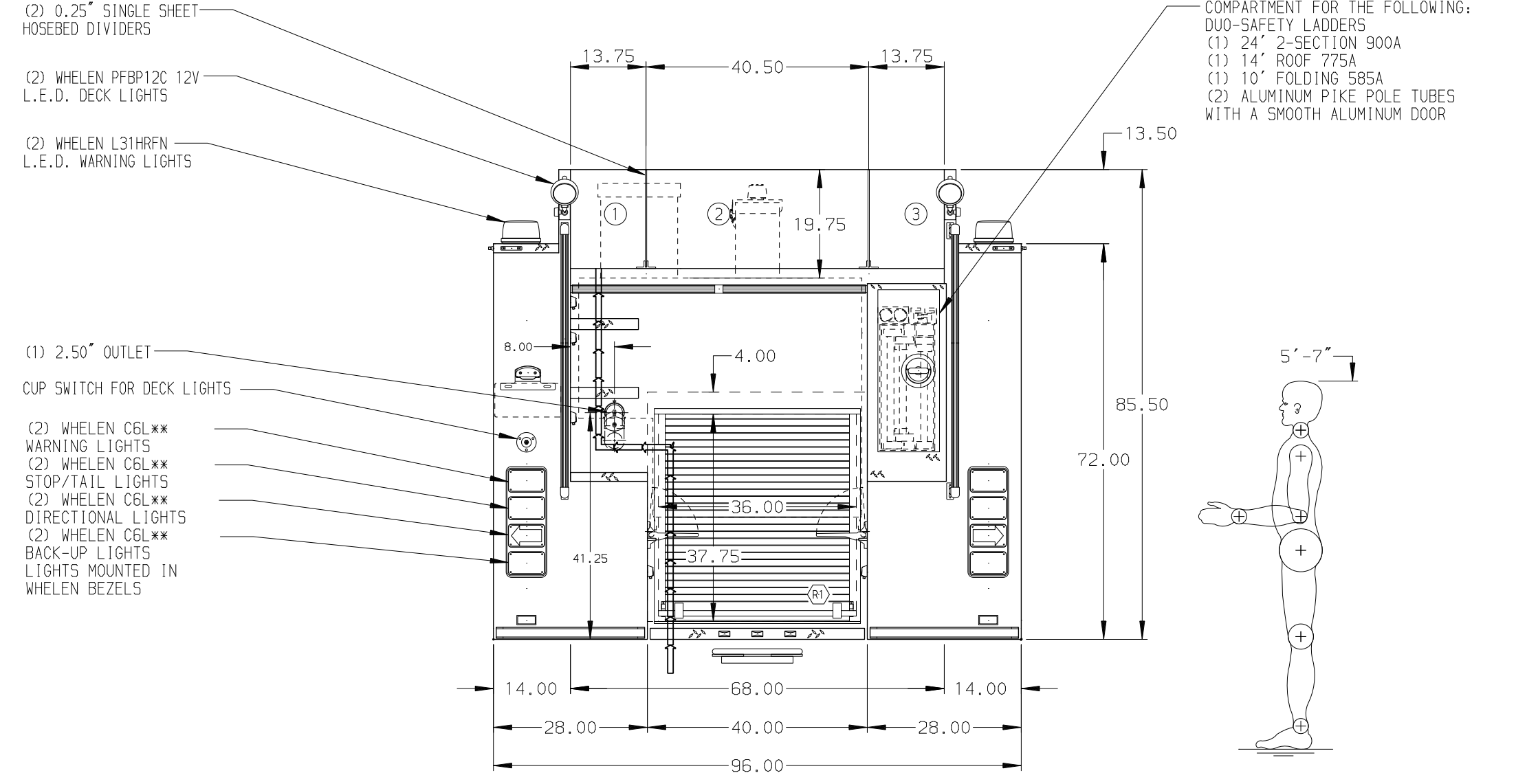
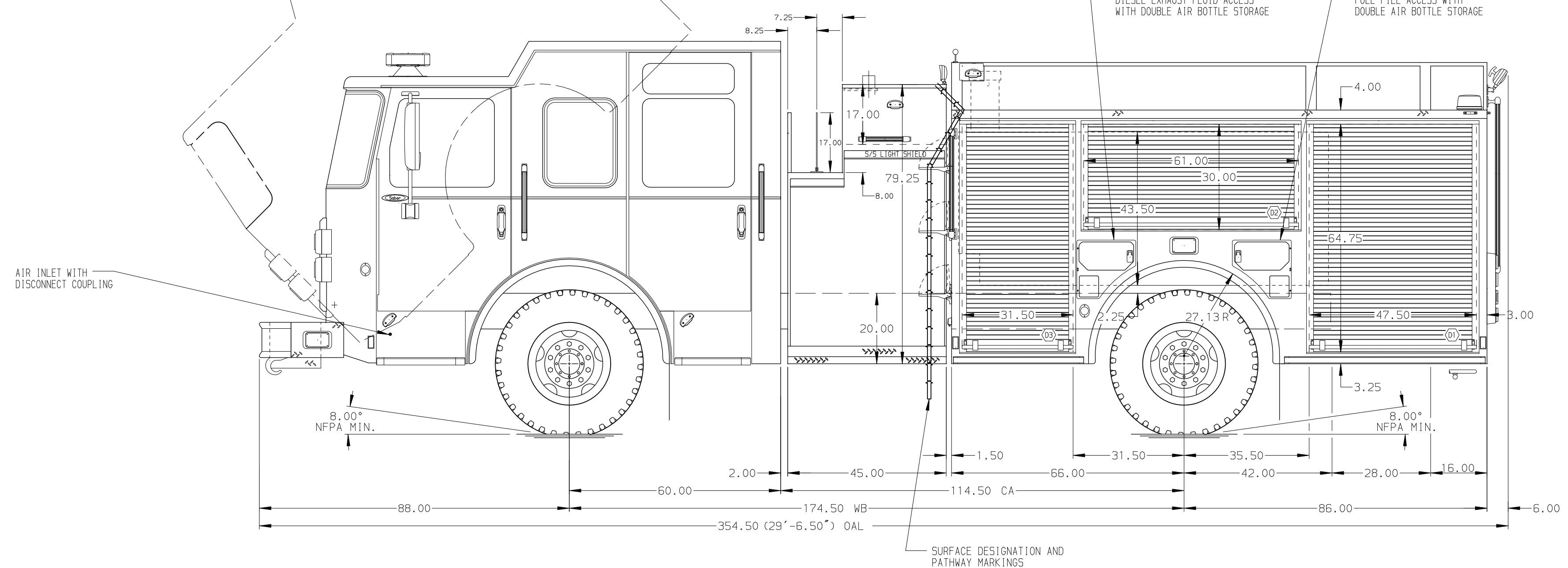
112.00
(9'-4.00")
APPROX
O.A.H.



PROVISIONS FOR WILL-BURT NIGHT SCAN POWERLITE NS 3.0 10"



- HOSEBED CAPACITIES
- ① 500' OF 2.50" D.J. POLY HOSE
 - ② 1000' OF 5.00" D.J. POLY HOSE
 - ③ 500' OF 2.50" D.J. POLY HOSE



ALUMINUM BODY

NOTE
DIMENSIONS SHOWN ARE APPROXIMATE AND ARE SUBJECT TO MINOR DEVIATIONS AS MAY OCCUR OR BE NECESSARY IN CONSTRUCTION. MINOR DETAILS NOT SHOWN.

REV	DATE	BY	CH	SABER FR

		JOB NO.	33035
BRADENTON, FLORIDA		SCALE	1:24
TITLE 1500-D-750P, W/30 GALLON FOAM, 152" PUMPER BODY 45" SIDE CONTROL, (2) 1.5" CROSSLAYS, DELUGE		DRAWN BY	JLA
MAKE PIERCE		CHECKED BY	RWI
MODEL DWG NO. 33035AD		SHEET SIZE	D
FOR PIERCE FIELD UNIT BRADENTON, FLORIDA		DATE	12SEP18
DATE		SHEET NO.	1 OF 1