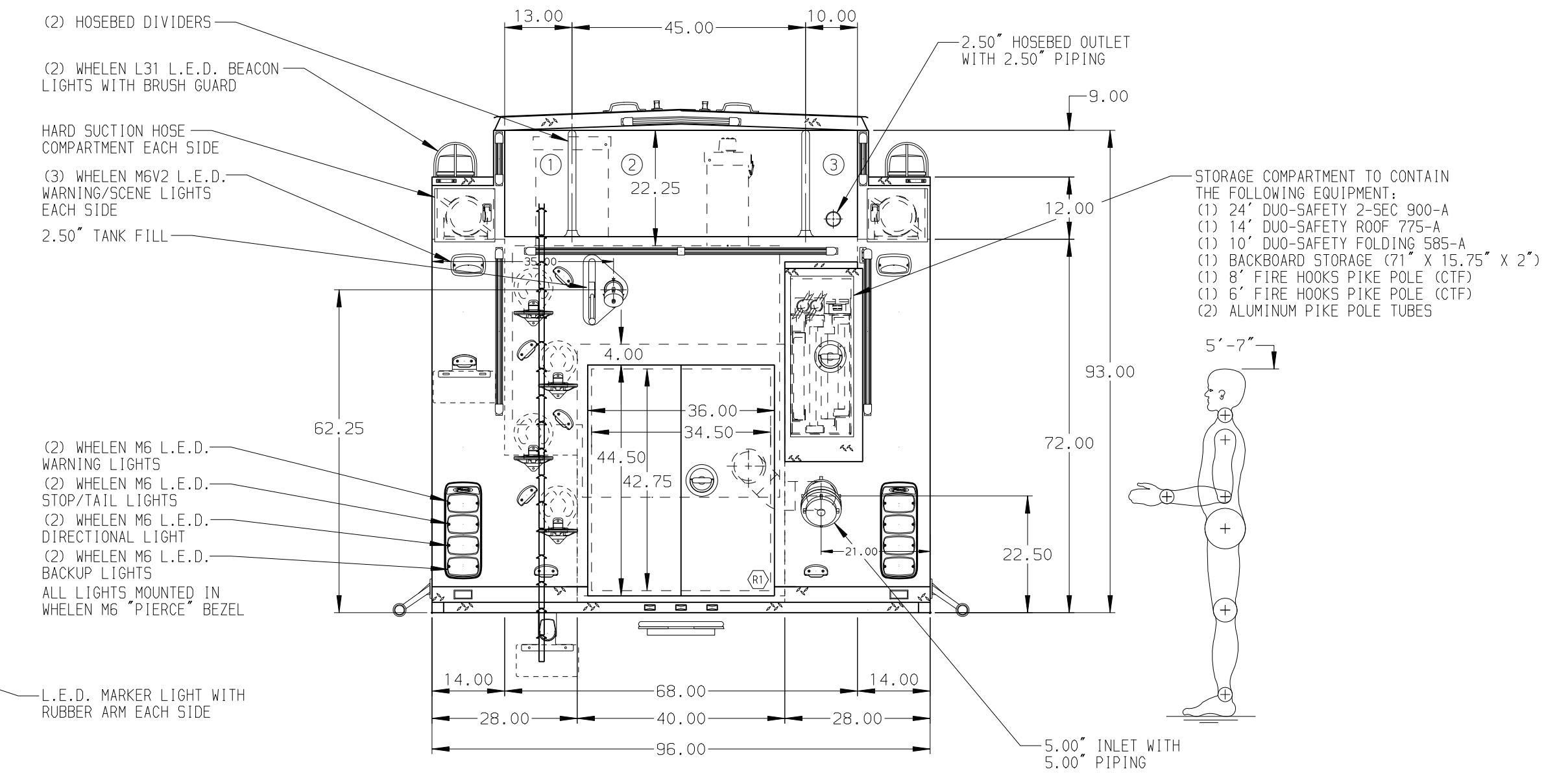
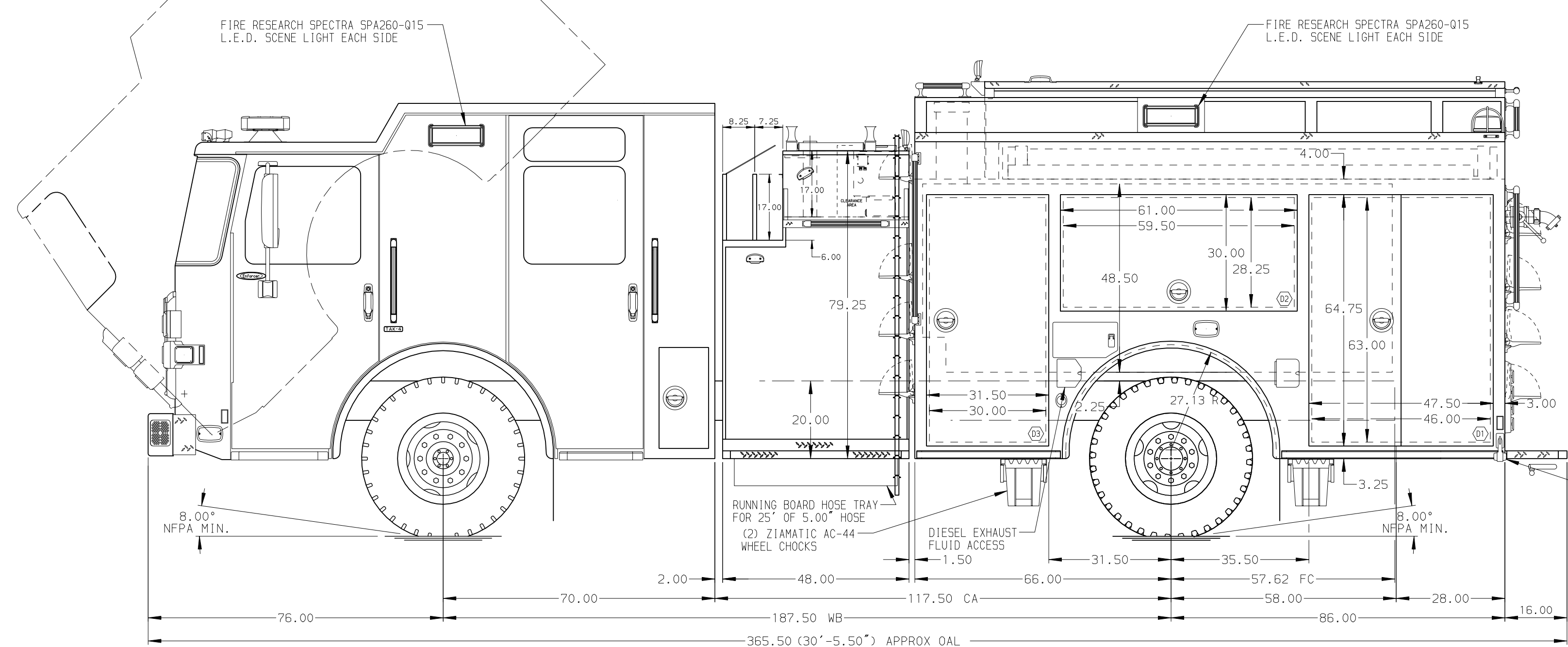


HOSEBED CAPACITIES

① 400' OF 2.50" D.J. HOSE

② 1200' OF 5.00" D.J. HOSE

③ 200' OF 2.50" D.J. HOSE



ALUMINUM BODY FRONTAL IMPACT PROTECTION

NOTE
 DIMENSIONS SHOWN ARE APPROXIMATE AND ARE SUBJECT TO MINOR DEVIATIONS AS MAY OCCUR OR BE NECESSARY IN CONSTRUCTION. MINOR DETAILS NOT SHOWN.

- AIR INLET WITH DISCONNECT FITTING LOCATED IN DRIVER SIDE STEP WELL
- BATTERY CHARGER LOCATED BEHIND DRIVER SEAT
- BATTERY CHARGER INDICATOR LOCATED ON DRIVER SIDE SEAT RISER
- SHORELINE RECEPTACLE WITH KUSSMAUL SUPER AUTO EJECT LOCATED ON DRIVER SIDE PUMP PANEL
- PULL STRAPS FOR DOORS IN COMPARTMENT-D2,P2
- ONE FULL WIDTH/DEPTH ADJUSTABLE SHELF WITH SIDES IN COMPARTMENT-D1,D2,D3,P1,R1
- ONE FLOOR MOUNTED SLIDE-OUT TRAY WITH SIDES IN COMPARTMENT-P1,P3,R1
- PARTITION BETWEEN COMPARTMENTS D1/R1 AND P1/R1
- PEGBOARD WITH TRACKS ON REAR WALL IN COMPARTMENT-D2
- ONE DUPLEX RECEPTACLE IN COMPARTMENT-P1

CHASSIS DATA	TITLE	1500-D-1030P,1000G WATER W/30G FOAM CELL,152 BODY
MAKE	FOR	(2) XLAYS,DELUGE,BOOSTER REEL,HUSKY 3 FOAM SYSTEM
PIERCE	FOR	ST. JOHN'S FIRE DEPARTMENT
MODEL		JOHN'S ISLAND, SOUTH CAROLINA
ENFORCER	DWG NO.	31332AD
REV	DATE	BY
25AUG17	BST	JGO

Pierce MANUFACTURING INC.

JOB NO. 31332 01-02

SCALE 1:24 DATE

DRAWN BY CSQ 23MAY17

CHECKED BY CCA 23MAY17

SHEET SIZE D SHEET NO. 1 OF 1