

**PUMPER
BODY**

Long Aluminum 2nd Gen Pumper

CHASSIS

Saber FR Chassis

**CHASSIS
AXLE, FRONT, CUSTOM**

18,000 Lb Meritor Axle

AXLE, REAR

27,000 Lb Meritor Axle

ENGINE

380 HP Cummins L9 Engine

TRANSMISSION

ALLison 5th Gen, 3000 EVS P

BUMPER

22" Extended Stainless Steel

CAB

6010 Saber FR Cab

BODY

WATER TANK

1000 Gallon Poly Water Tank

COMPT, PUMPER, REAR

51.25" FF RollUp Rear Compt

COMPT, PUMPER, DRIVER SIDE

161" RollUp Full Height Front & Rear FDLER

COMPT, PUMPER PASS. SIDE

161" RollUp Full Height Front & Rear FDLER

**FIRE SUPPRESSION
PUMPHOUSE**

42" Control Zone Top Mount

PUMP

1500 GPM Waterous CSU

CROSSLAYS, 1.50"

1.50" Crosslays Not Required

CROSSLAYS, 2.50"

2.50" Crosslays Not Required

SPEEDLAYS

(2) 1.50" Standard Capacity

GENERATOR

Generator Not Required

Foam System

Husky 3 Single Agent Foam System

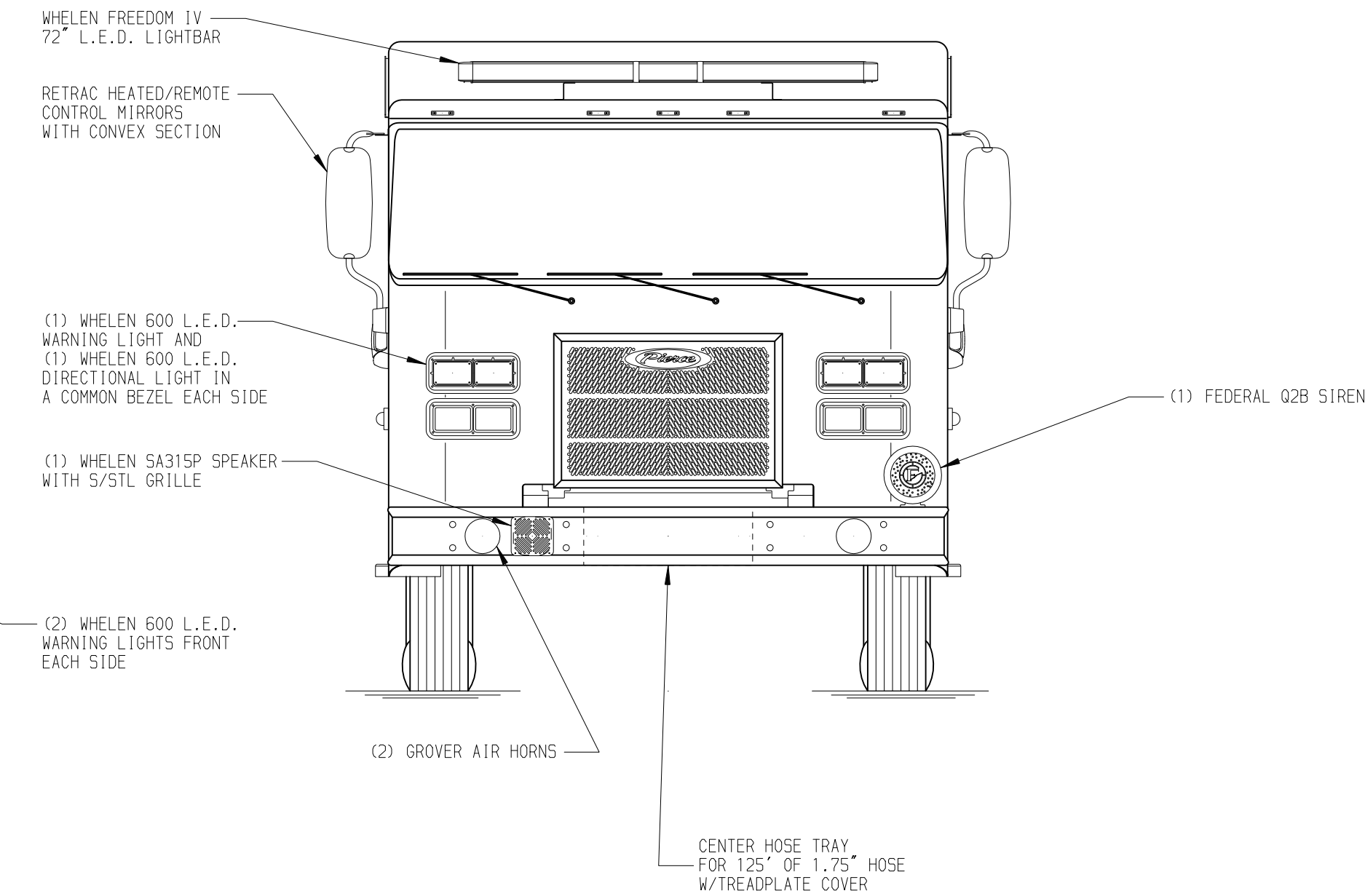
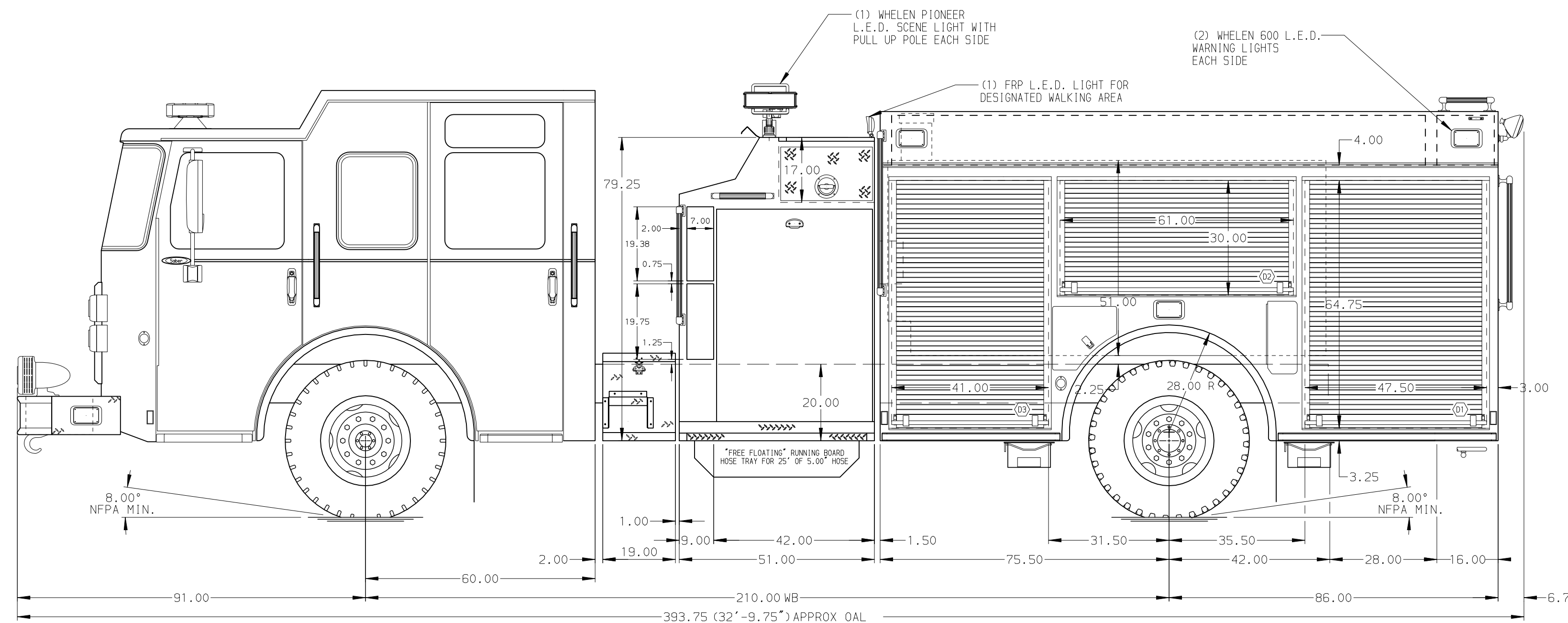
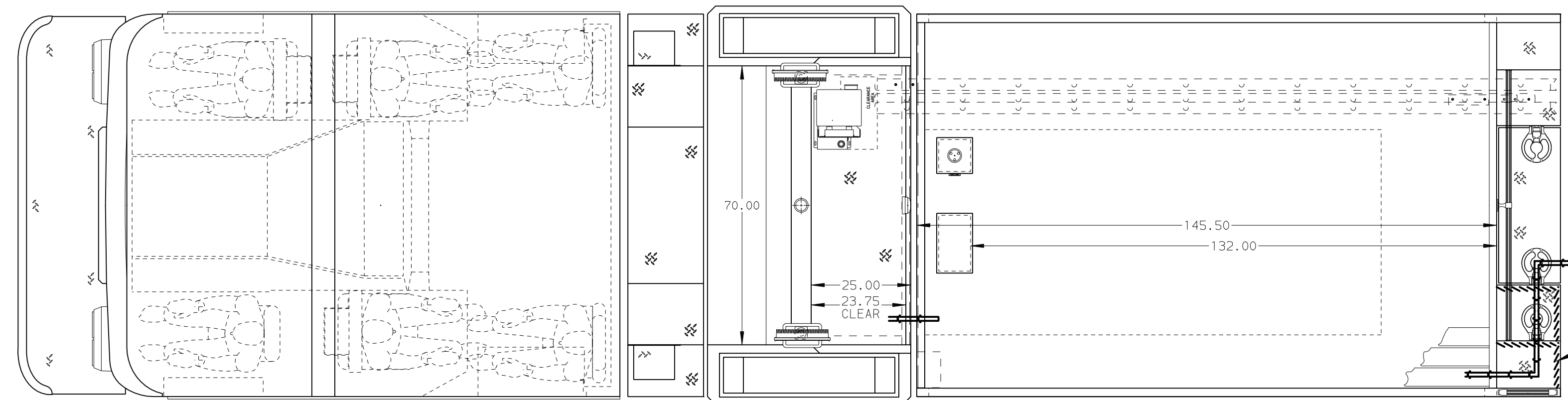
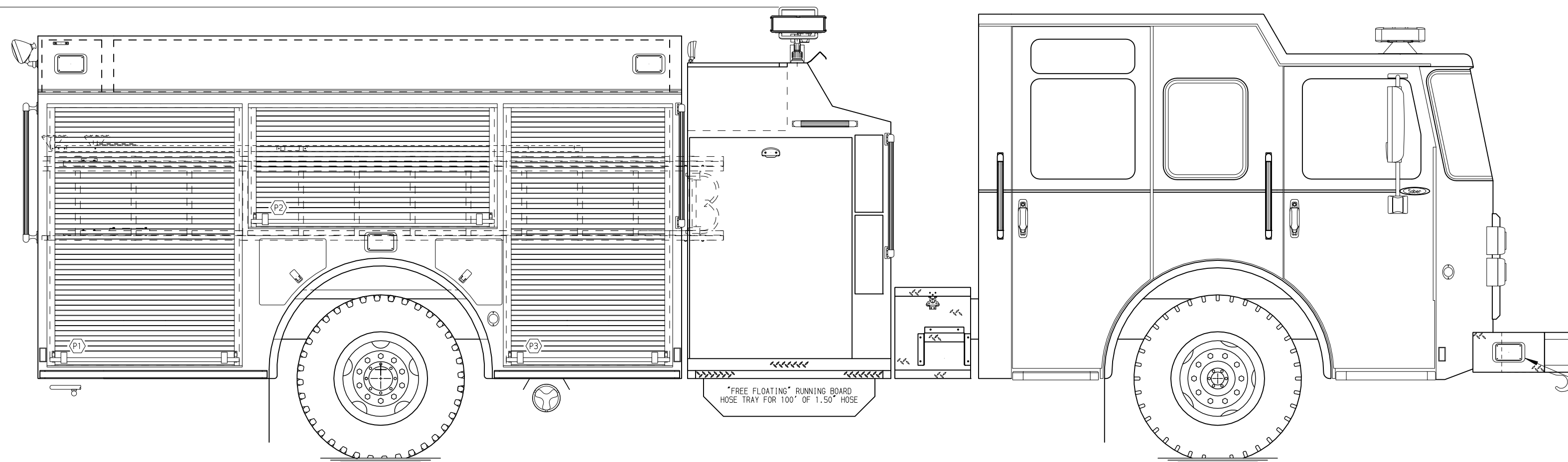
Foam Cell

30 Gallon Foam Cell, Not Reduced Water

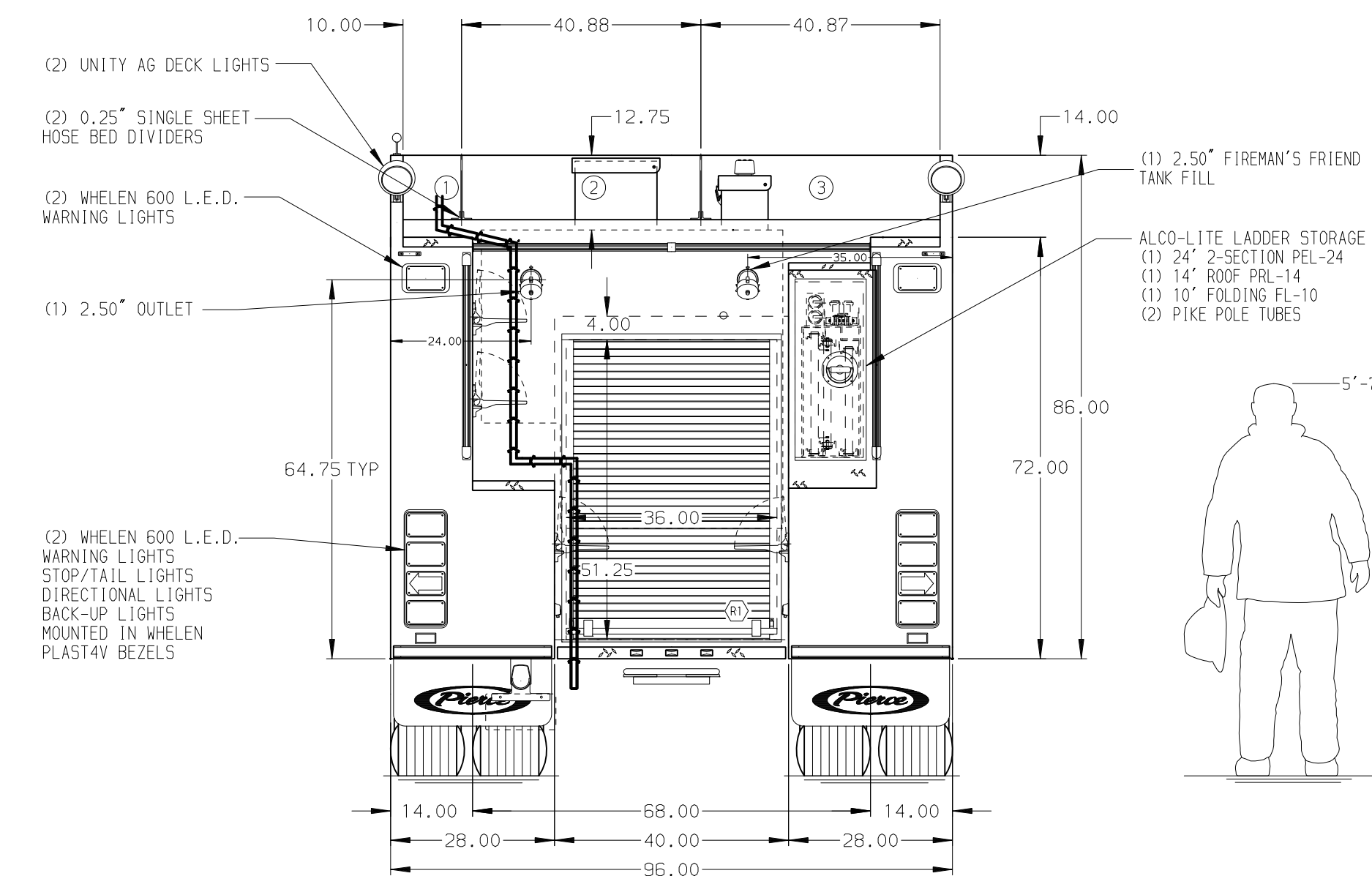
NOTE

DIMENSIONS SHOWN ARE APPROXIMATE AND ARE SUBJECT TO MINOR DEVIATIONS AS MAY OCCUR OR BE NECESSARY IN CONSTRUCTION. MINOR DETAILS NOT SHOWN.

118.00
(9'-10")
APPROX
O.A.H.



HOSEBED CAPACITY	
BED 1	200' OF 2.50" D.J. POLY HOSE
BED 2	600' OF 5.00" D.J. POLY HOSE
BED 3	600' OF 5.00" D.J. POLY HOSE



CUSTOMER APPROVAL				
APPROVED BY:				
DATE:				
REV	DATE	BY	CH	SABER FR
01DEC16		JWO	SHE	

Pierce MANUFACTURING INC.		JOB NO.	30740
TITLE	Pierce Pumper Approval Drawing	SCALE	1:24 DATE
MAKE	PIERCE	DRAWN BY	COL 03NOV16
MODEL		CHECKED BY	KBO 10NOV16
DWG NO.	30740AD	SHEET SIZE	D SHEET NO. 1 OF 1