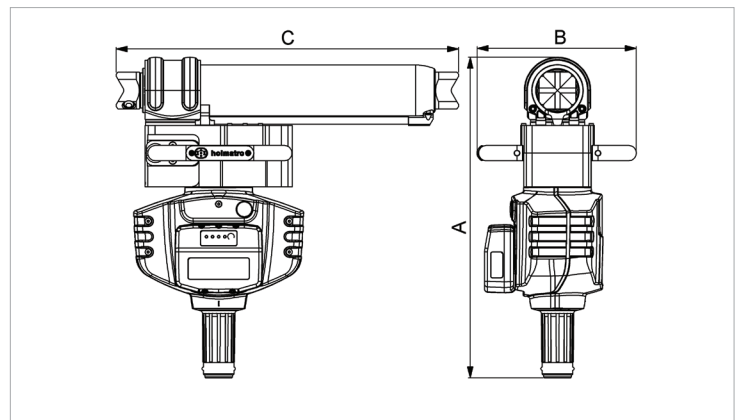


## Technical specification sheet

### Telescopic Ram | GTR 5350 LP EVO 3 (excl. battery)

#### Specifications

article number	159.000.000	
model	GTR 5350 LP EVO 3 (excl. battery)	
short description	Telescopic Ram	
max. working pressure	psi	10443
spreading stroke 1st plunger	in	14.8
spreading stroke 2nd plunger	in	13.8
total spreading stroke	in	28.5
retracted length	in	22
extended length	in	50.6
max. spreading force 1st plunger	lbf	48784
max. spreading force 2nd plunger	lbf	22706
protection rate	IP54	
sound emission @ 1m/3.25ft	dB(A)	74
sound emission @ 4m/13ft	dB(A)	65
hydraulic oil type	ISO-L HV VG 15/22	
number of plungers	2	
weight, ready for use	lb	54.2
temperature range	°F	-4 + 131
weight excl. battery	lb	52.0
dimensions (AxBxC)	in	20.7 x 10.2 x 22
EN 13204 classification	TR217/375-101/350-24.6	
EN 13204 compliant	yes	
NFPA 1936, HSF	lbf	48784
NFPA 1936, LSF	lbf	22706
NFPA 1936 compliant	yes	



#### Safety factors / tests

hydraulic safety factor	2:1
endurance test tool	1000 cycles of spreading while the tool is loaded
endurance test dead man's handle	6000 cycles

#### Standard supplied with

- Integrated laser pointer in ram head
- Integrated LED lighting illuminating both the plunger side and the base side of the ram

#### Required articles

Greenline Battery Charger BCH1	150.182.208
Greenline Battery Charger BCH2	150.182.209
Greenline Battery Charger BCH3	150.182.286
Greenline Battery BPA286	151.000.307

