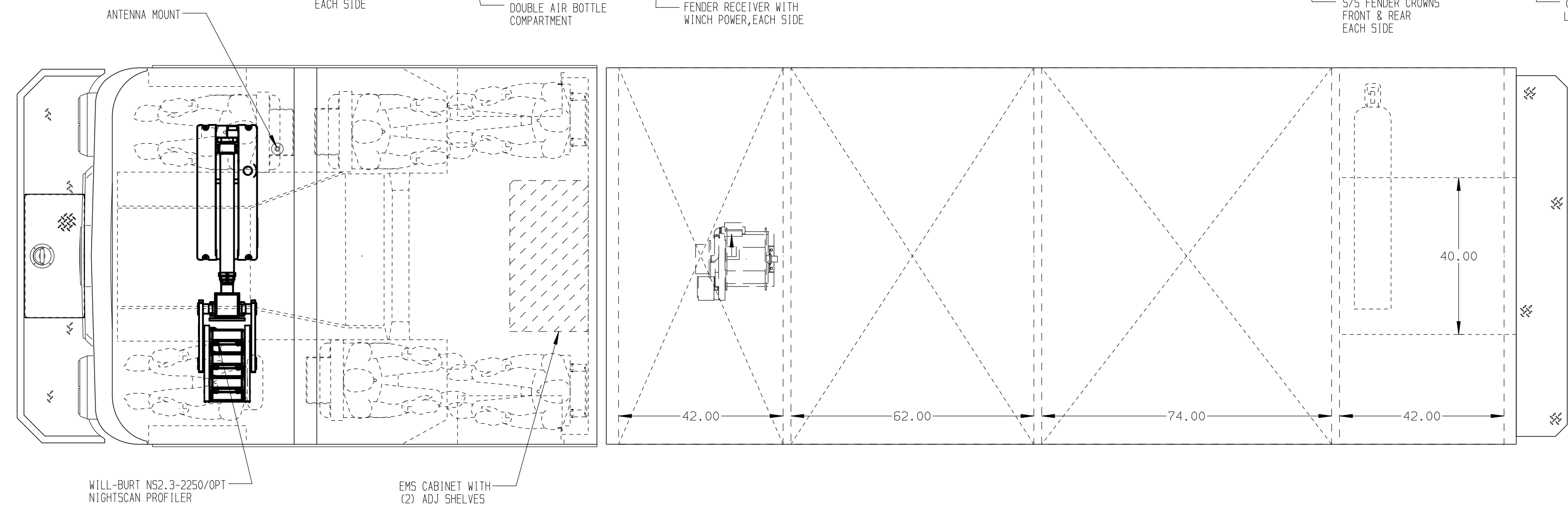
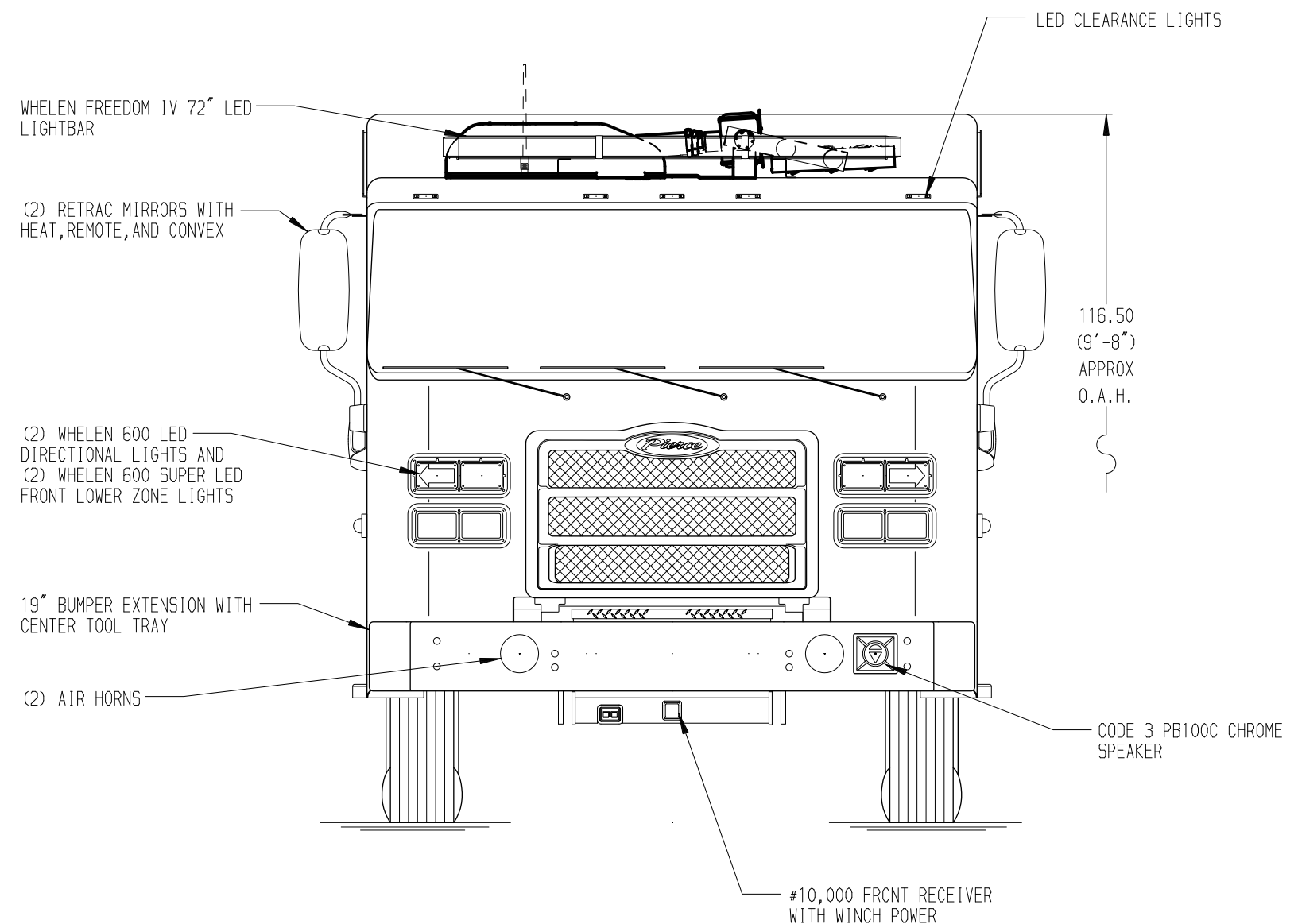
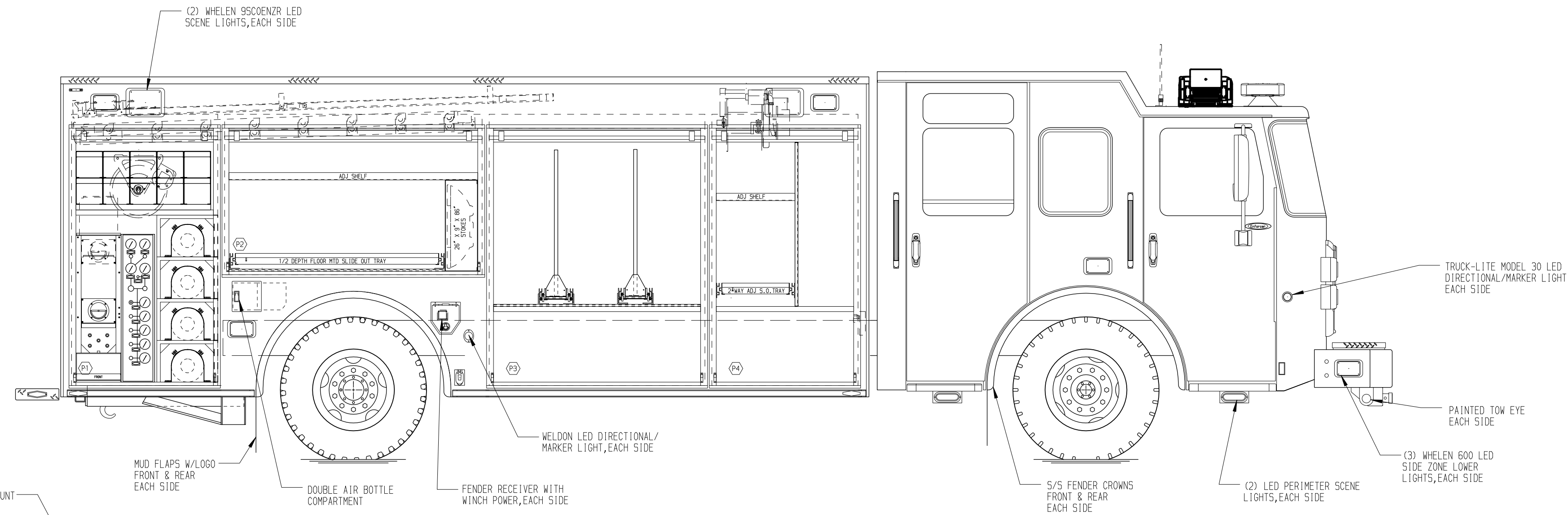


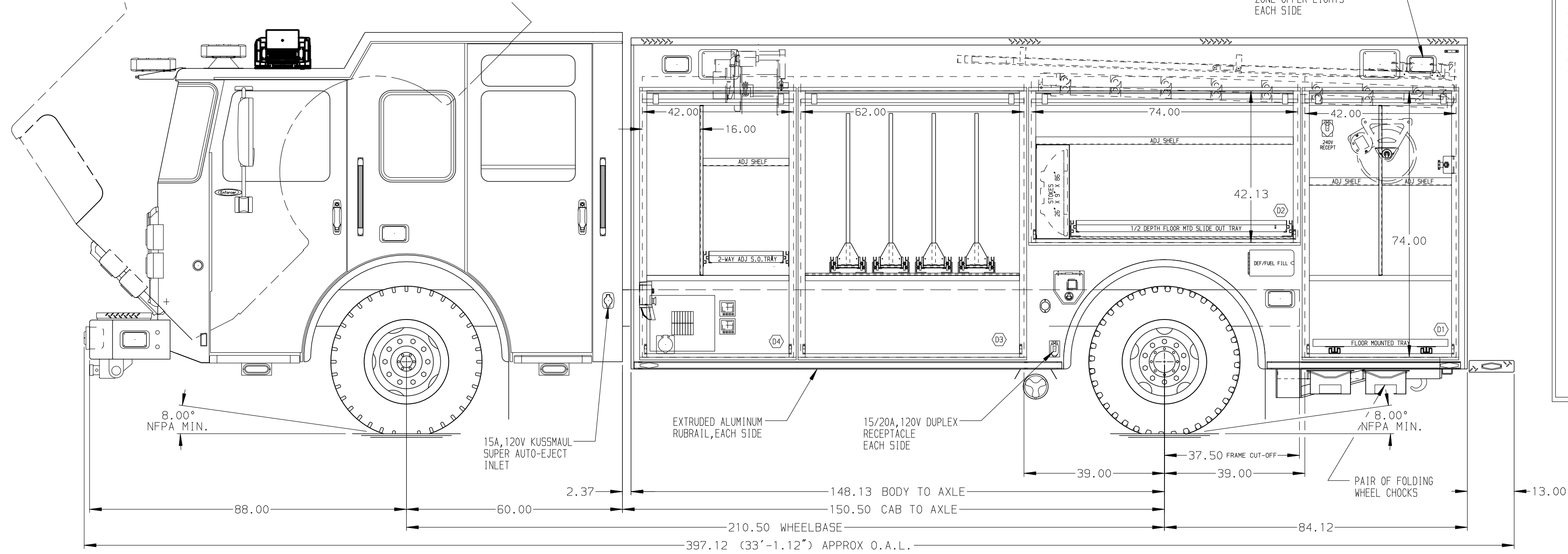
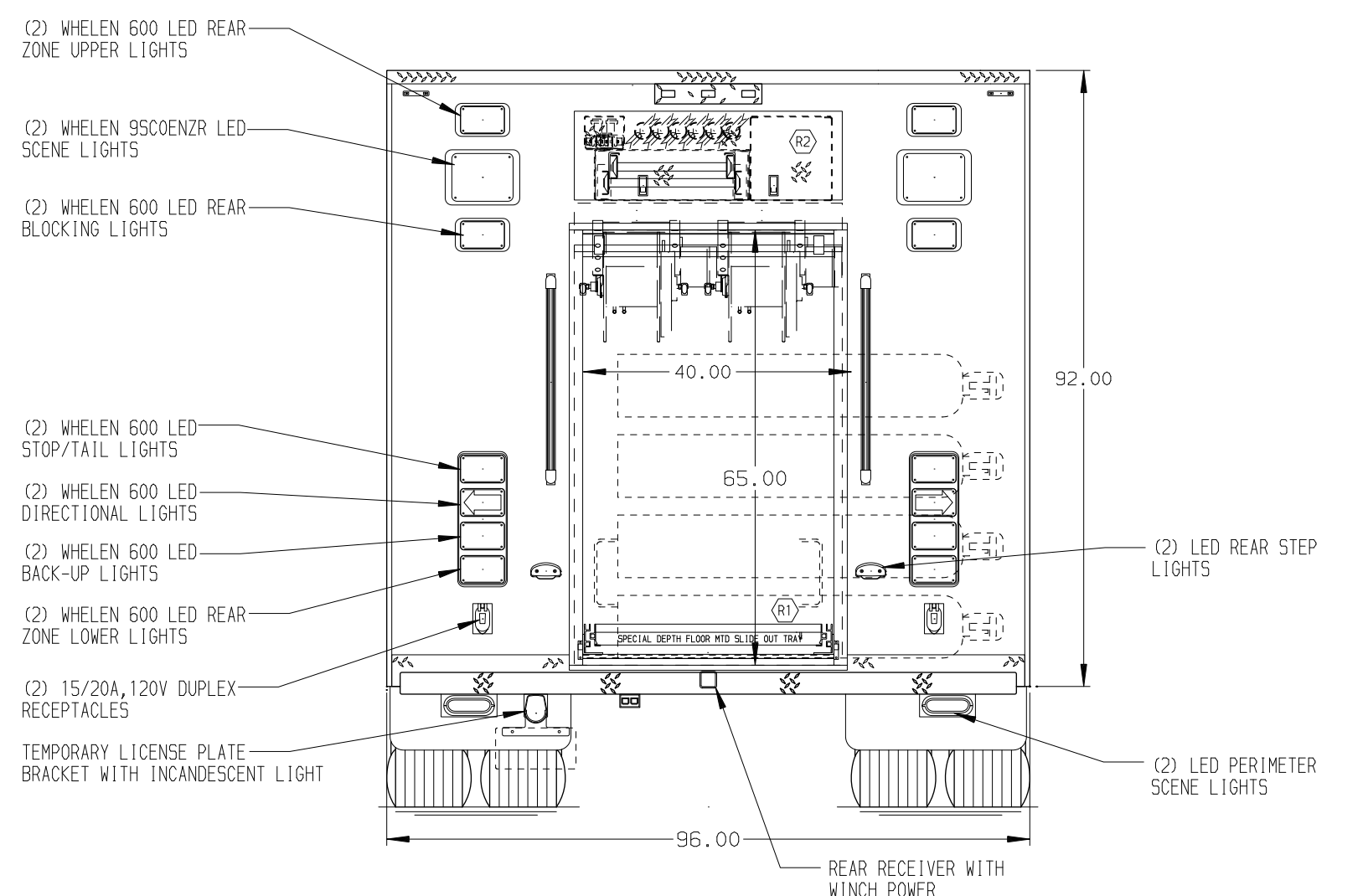
**PASSENGER'S SIDE COMPARTMENTS CONTAIN THE FOLLOWING:**

- COMPARTMENT P1 CONTAINS:  
 - (1) HORIZONTAL FLOOR EXTENSION  
 - (1) RACK FOR 10 SCBA BOTTLES  
 - (1) CASCADE SYSTEM CONTROL PANEL  
 - (1) "SPACESAVER" 2-BOTTLE FILL ENCLOSURE  
 - MOUNTING FOR CUSTOMER/DEALER INSTALLED UN STYLE AIR STORAGE BOTTLES
- COMPARTMENT P2 CONTAINS:  
 - (1) 1/2 DEPTH ADJ SHELF  
 - (1) STOKES' BASKET RACK  
 - (1) 1/2 DEPTH FLOOR MOUNTED TRAY
- COMPARTMENT P3 CONTAINS:  
 - (1) HORIZONTAL FLOOR EXTENSION  
 - (2) 1/2 DEPTH ADJ SLIDE OUT TOOLBOARDS
- COMPARTMENT P4 CONTAINS:  
 - (1) CAB LIFT CONTROLLER  
 - (1) HORIZONTAL FLOOR EXTENSION  
 - (1) 1/2 DEPTH ADJ SHELF  
 - (1) 2-WAY ADJ SLIDE OUT TRAY  
 - (1) VERTICAL COMPARTMENT DIVIDER  
 - MOUNTING PROVISIONS FOR ELECTRIC REEL (TO PAY OUT EITHER SIDE)



- REAR COMPARTMENT CONTAINS THE FOLLOWING:**
- COMPARTMENT R1 CONTAINS:  
 - (1) SPECIAL DEPTH FLOOR MOUNTED TRAY  
 - MOUNTING PROVISIONS FOR FUTURE HYDRAULIC REELS
- COMPARTMENT R2 CONTAINS:  
 - (1) RACK FOR THE FOLLOWING:  
 - (1) CJL-16 COMBINATION LADDER  
 - (1) 10' FOLDING LADDER  
 - (1) RESCUE TRIPOD  
 - (6) PIKE POLES

- DRIVER'S SIDE COMPARTMENTS CONTAIN THE FOLLOWING:**
- COMPARTMENT D1 CONTAINS:  
 - (1) HORIZONTAL FLOOR EXTENSION  
 - (2) STD DEPTH ADJ SHELVES  
 - (1) VERTICAL COMPARTMENT DIVIDER  
 - (1) 20A, 240V T.L. RECEPTACLE  
 - (1) FLOOR MOUNTED SLIDE OUT TRAY
- COMPARTMENT D2 CONTAINS:  
 - (1) 1/2 DEPTH ADJ SHELF  
 - (1) STOKES' BASKET RACK  
 - (1) 1/2 DEPTH FLOOR MOUNTED TRAY
- COMPARTMENT D3 CONTAINS:  
 - (1) HORIZONTAL FLOOR EXTENSION  
 - (4) 1/2 DEPTH ADJ SLIDE OUT TOOLBOARDS
- COMPARTMENT D4 CONTAINS:  
 - (1) HORIZONTAL FLOOR EXTENSION  
 - (1) 1/2 DEPTH ADJ SHELF  
 - (1) 2-WAY ADJ SLIDE OUT TRAY  
 - (1) VERTICAL COMPARTMENT DIVIDER  
 - (1) CIRCUIT BREAKER PANEL  
 - (1) GENERATOR METER PANEL  
 - (1) NIGHTSCAN CONTROLLER  
 - MOUNTING PROVISIONS FOR ELECTRIC REEL (TO PAY OUT EITHER SIDE)  
 - (1) 60A, 240V RECEPTACLE  
 - (1) 30A, 240V RECEPTACLE



**NOTE**  
 DIMENSIONS SHOWN ARE APPROXIMATE AND ARE SUBJECT TO MINOR DEVIATIONS AS MAY OCCUR OR BE NECESSARY IN CONSTRUCTION. MINOR DETAILS NOT SHOWN.

- NOTES:**
- AIR INLET WITH DISCONNECT COUPLING LOCATED IN THE DRIVER'S SIDE STEP WELL OF CAB
  - FLOOR IN CAB AND CREW CAB TO BE PADDED RUBBER
  - 10TA 45 AMP CHARGER LOCATED BEHIND THE DRIVER'S SEAT
  - PULL STRAPS ON ALL SIDE BODY ROLL-UP DOORS
  - PIERCE DUAL LED LIGHTS IN ALL BODY COMPARTMENTS
  - 6kW SINGLE PHASE PTO DRIVEN GENERATOR WITH SPLASH GUARD LOCATED BETWEEN THE FRAME RAILS

MAXIMUM O.A.L. 34'-0"  
 MAXIMUM O.A.H. 10'-0"

CLEAR DOOR WIDTH KEY		CHASSIS DATA	
AMOR ROLL UP DOORS:	-2 1/4'	DATE	01MAY18
CORTITE ROLL UP DOORS:	-2 1/2'	BY	DHE AZU
PIERCE DOUBLE LAP DOORS:	-4 1/4'	DATE	22MAR18
PIERCE LIFT-UP LAP DOORS:	-1 1/2'	BY	DHE AZU
(EX: 60" F-F - 2 1/4" = 57 3/4" CLEAR)		DATE	26DEC17
(F-F) = FRAME TO FRAME		BY	DHE CDK
		CH	EN6010

		JOB NO.	31992
		SCALE	DATE
TITLE	ENCORE RESCUE VEHICLE	DRAWN BY	DHE
FOR	CITY OF GREENVILLE GREENVILLE, SC	CHECKED BY	AZU
DWG NO.	31992AD	SHEET SIZE	SHEET NO.
			1 OF 1