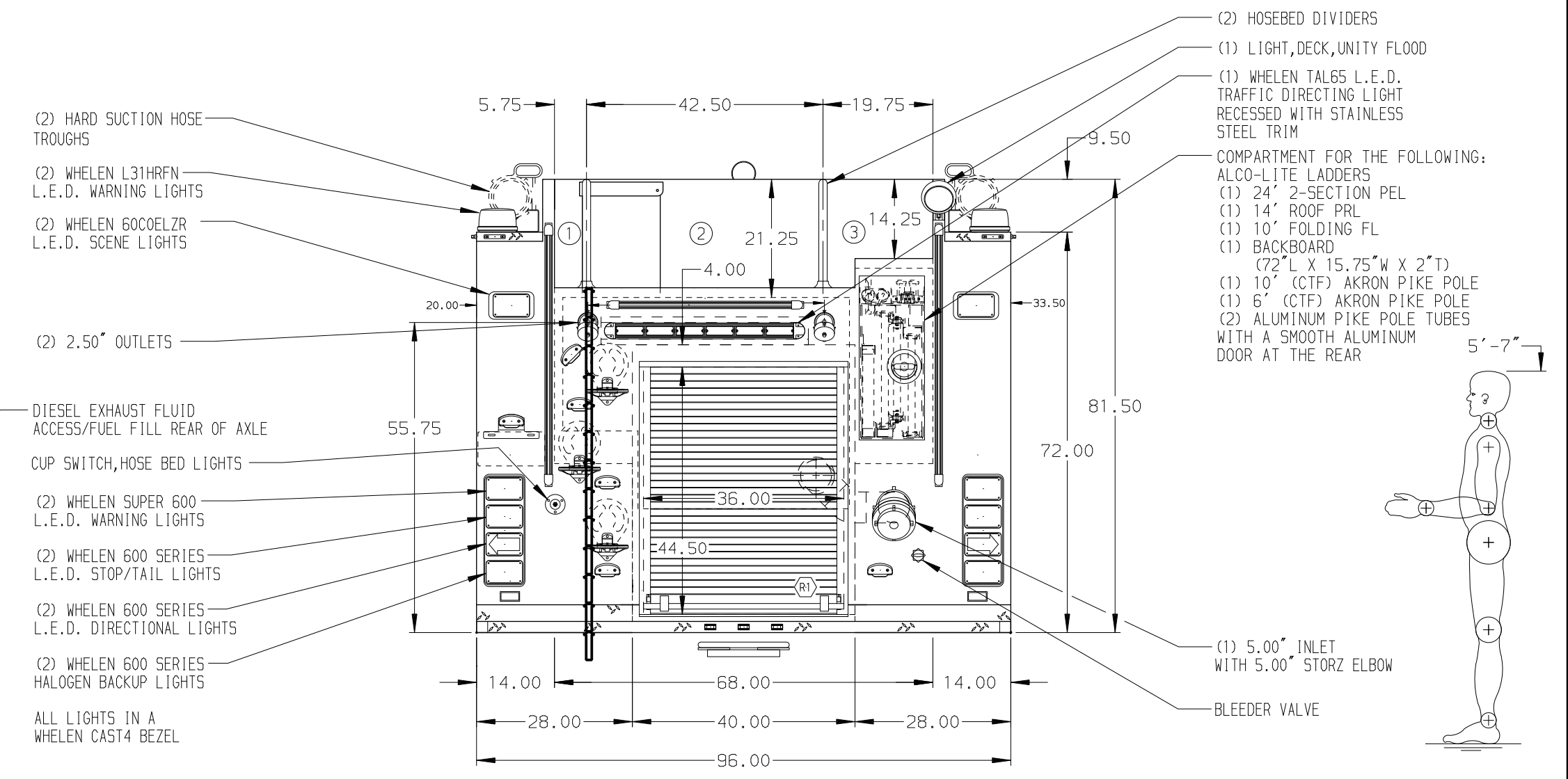
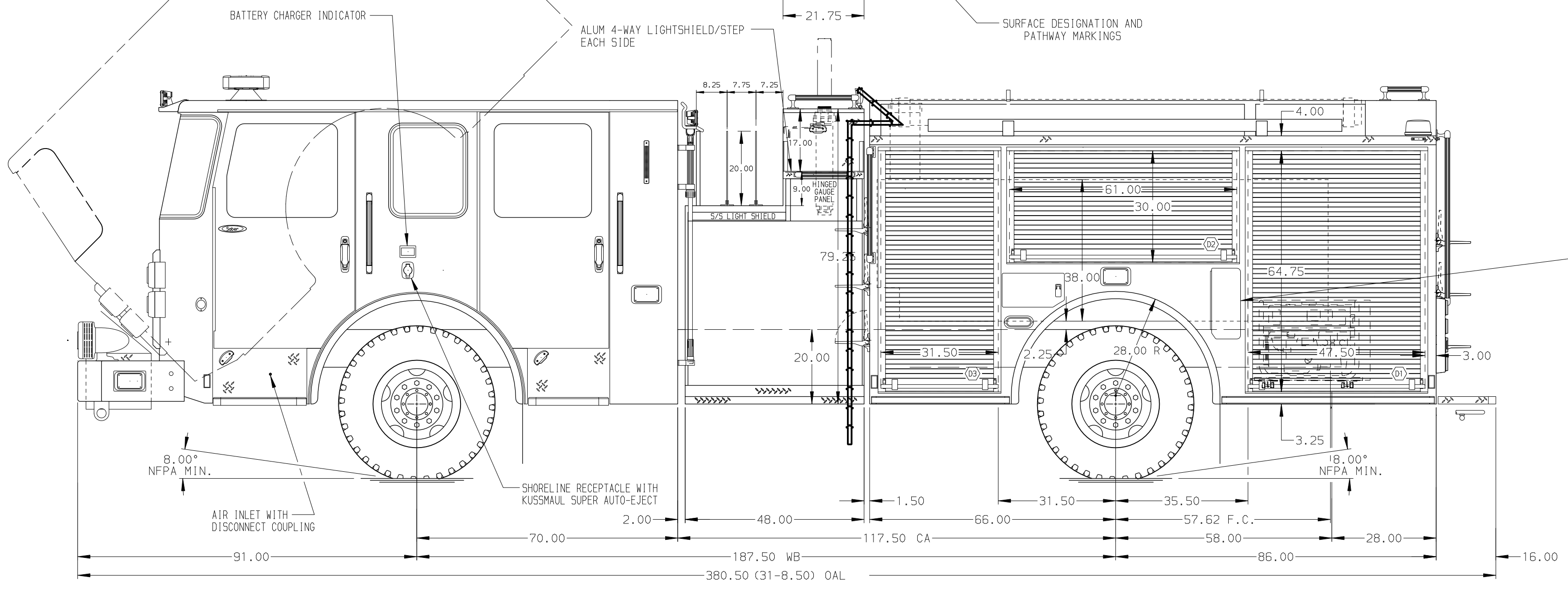


- HOSEBED CAPACITIES
- ① 300' OF 2.50" D.J. POLY HOSE
 - ② 1400' OF 4.00" D.J. POLY HOSE
 - ③ 950' OF 2.50" D.J. POLY HOSE



GALVANNEAL

SIDE ROLL PROTECTION

NOTE
DIMENSIONS SHOWN ARE APPROXIMATE AND ARE SUBJECT TO MINOR DEVIATIONS AS MAY OCCUR OR BE NECESSARY IN CONSTRUCTION. MINOR DETAILS NOT SHOWN.

CHASSIS DATA	TITLE	1500-D-750P, 152", FULL HEIGHT, FDLER D.S. & P.S. (3) X-LAYS, DELUGE	JOB NO.	30449 01-02
MAKE	FOR	CHARLESTON FIRE DEPARTMENT CHARLESTON, SOUTH CAROLINA	SCALE	1:24 DATE
MODEL	DWG NO.	30449AD	DRAWN BY	CSQ 24AUG16
REV	DATE	BY	CHECKED BY	KBO 24AUG16
			SHEET SIZE	D SHEET NO. 1 OF 1