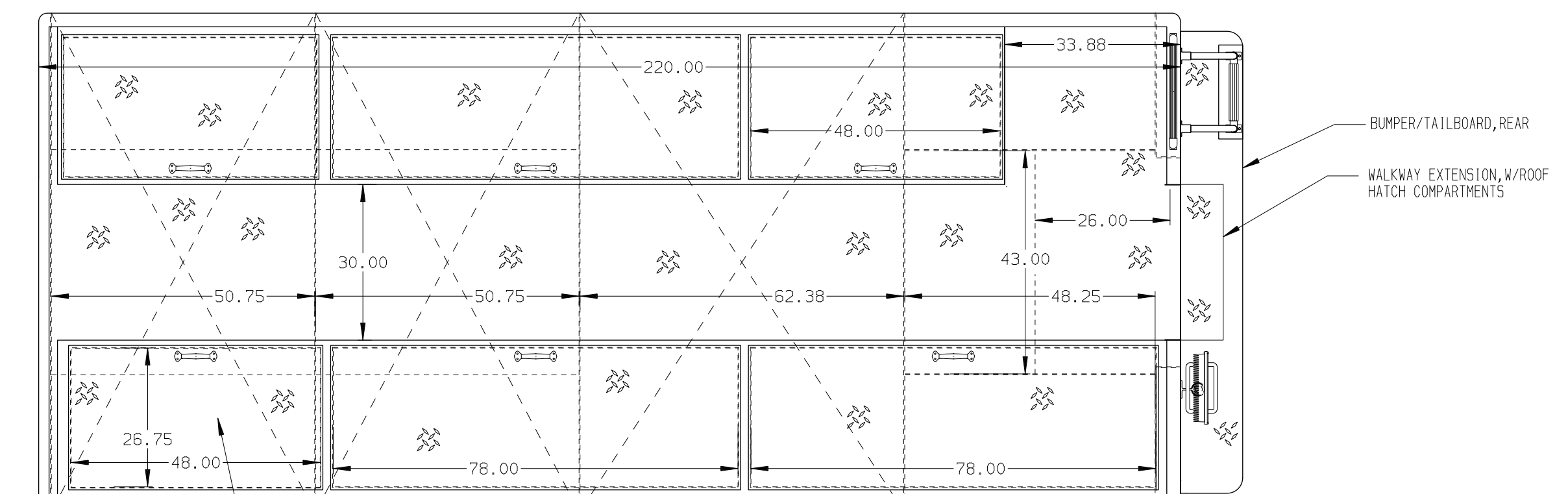
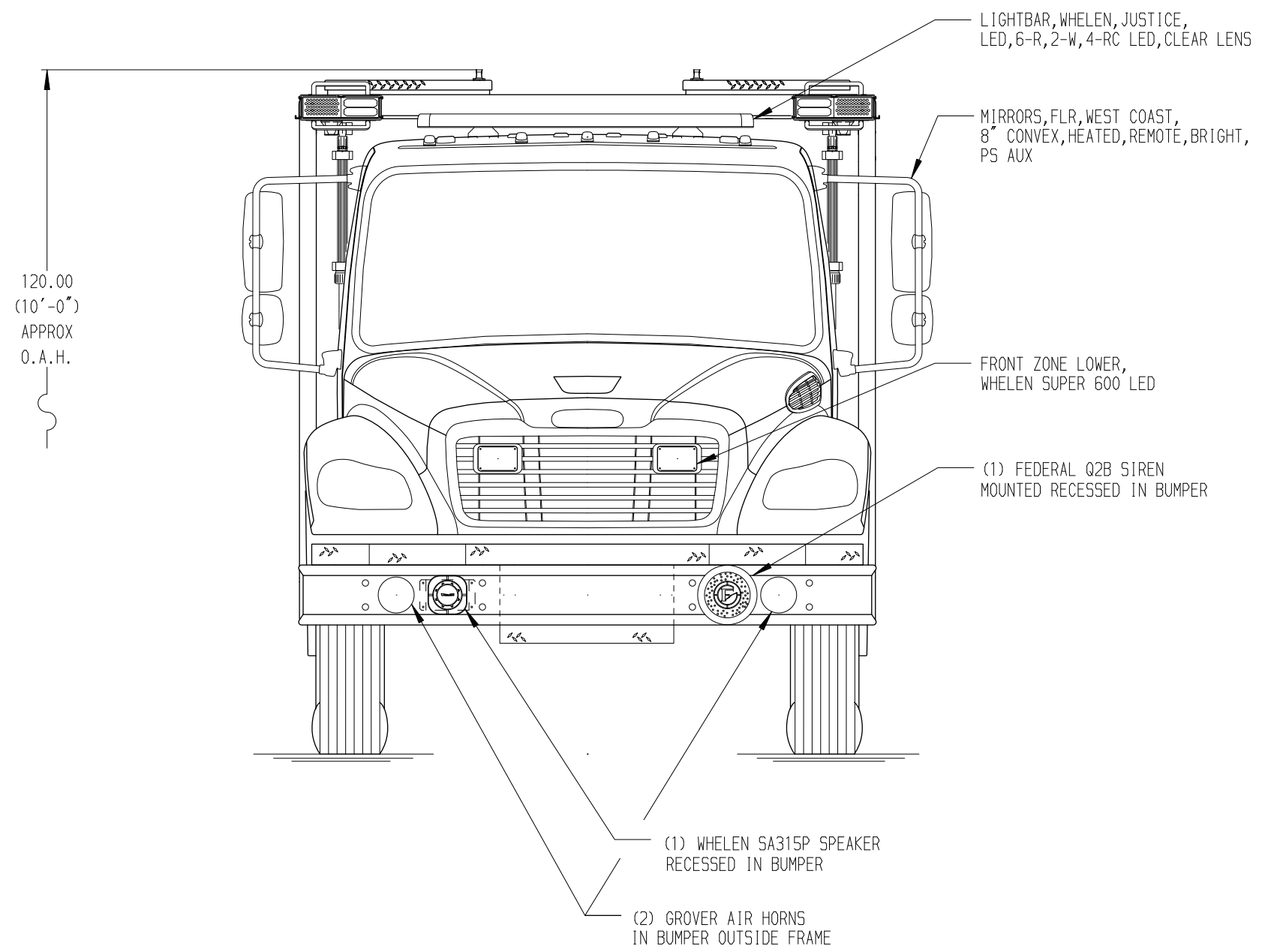
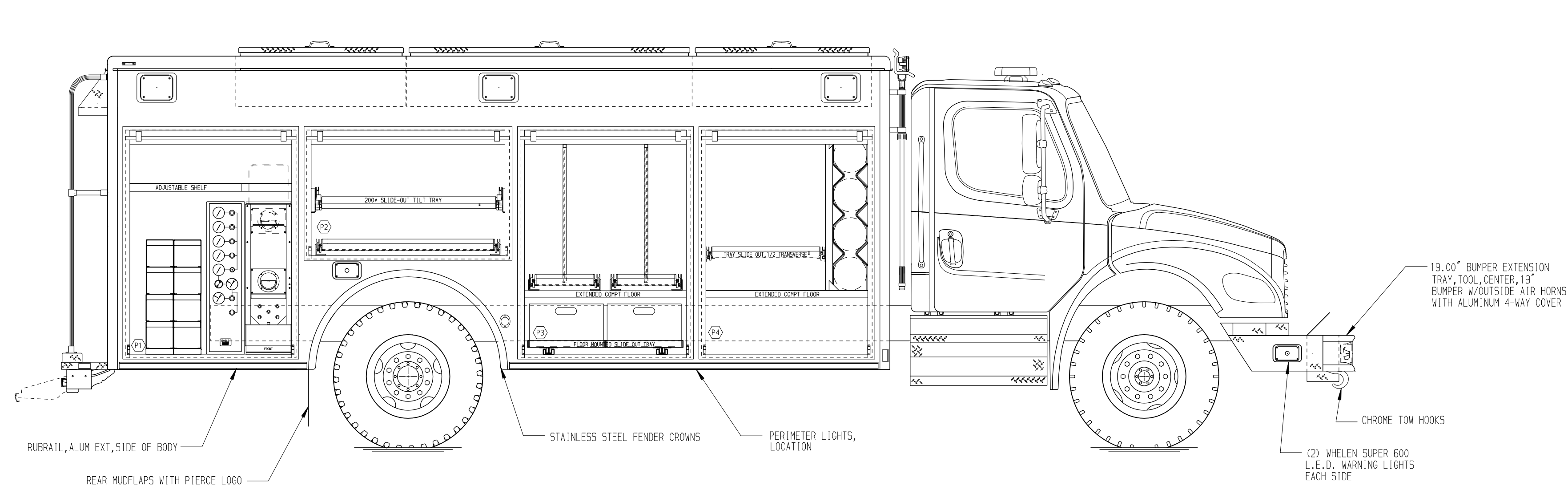


**PASSENGER'S SIDE COMPARTMENTS CONTAIN THE FOLLOWING:**

- COMPARTMENT P1 CONTAINS:**
- (8) RACK, SPARE SCBA BOTTLE, 7.50"
  - (1) BREATHING AIR CASCADE SYS. (4)HC-5000 DOT
  - (1) FILL ENCLOSURE, (2) BOTTLE, "SPACE SAVER" MODEL 100A, 13" WIDE PROVISIONS FOR "BLOW OUT" PANEL FOR FILL STATION
  - (1) SHELVES, ADJUSTABLE, 500LB CAPACITY, FULL WIDTH/DEPTH, PAINTED, NOTCHED
- COMPARTMENT P2 CONTAINS:**
- (1) TRAY, SLIDE OUT, TILT 30°, 1/2 DEPTH OF TRANSVERSE COMPT, 200# CAPACITY
  - (1) TRAY, SLIDE OUT, STD DEPTH, FLOOR MOUNTED, 500LB CAPACITY
- COMPARTMENT P3 CONTAINS:**
- (1) EXTENDED COMPARTMENT FLOORS BOLT IN STYLE
  - (1) TRAY, SLIDE OUT, TWO WAY, TRANSVERSE COMPT, ADJUSTABLE HEIGHT, 500# CAPACITY
  - (1) TOOLBOARD, ADDED TO SLIDE-OUT TRAY, 1/2 DEPTH TRANSVERSE & STD, TRAY NOT INCLUDED
  - (2) BOX, POLY TOOL, SPECIFIED DIMENSION
  - (1) TRAY, SLIDE OUT, STD DEPTH, FLOOR MOUNTED, 500LB CAPACITY
- COMPARTMENT P4 CONTAINS:**
- (1) EXTENDED COMPARTMENT FLOORS BOLT IN STYLE
  - (1) TRAY, SLIDE OUT, 1/2 TRANSVERSE, ADJUSTABLE HEIGHT, 500LB CAPACITY
  - (4) BREATHING AIR CASCADE BOTTLES
  - (2) DIVIDER, VERTICAL



**REAR COMPARTMENT R1 CONTAINS THE FOLLOWING:**

**COMPARTMENT R1 CONTAINS:**

- (1) TRAY, SLIDE-OUT, SPECIAL DEPTH COMPT, ADJUSTABLE HEIGHT, 250LB CAPACITY
- (1) TRAY, SLIDE OUT, STD DEPTH, FLOOR MOUNTED, 500LB CAPACITY
- (1) TRAY, SLIDE OUT, TILT 30°, FULL DEPTH, R1 COMPT, 200# CAPACITY

**DRIVER'S SIDE COMPARTMENTS CONTAIN THE FOLLOWING:**

**COMPARTMENT D1 CONTAINS:**

- (1) SHELVES, ADJUSTABLE, 500LB CAPACITY, FULL WIDTH/DEPTH, PAINTED
- (1) TRAY, SLIDE OUT, STD DEPTH, FLOOR MOUNTED, 500LB CAPACITY

**COMPARTMENT D2 CONTAINS:**

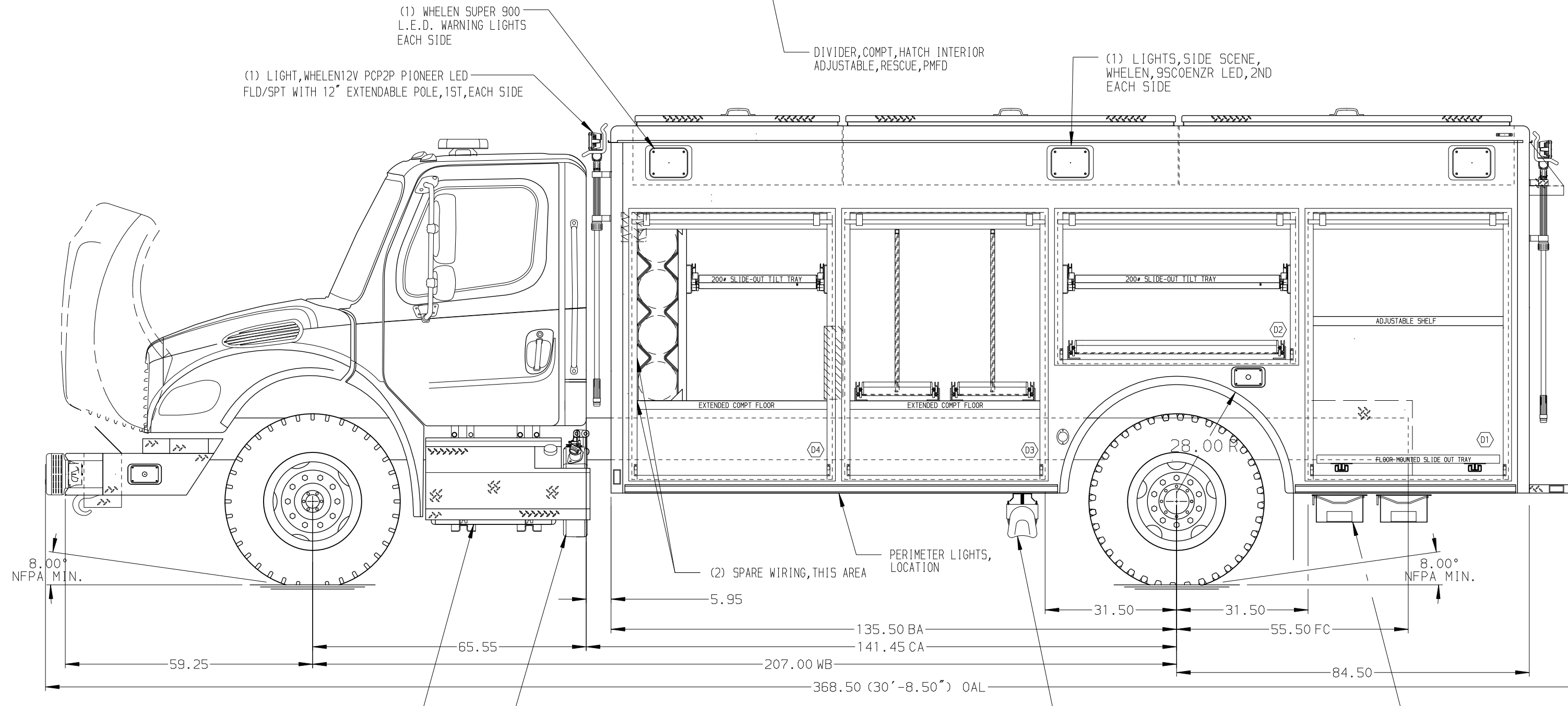
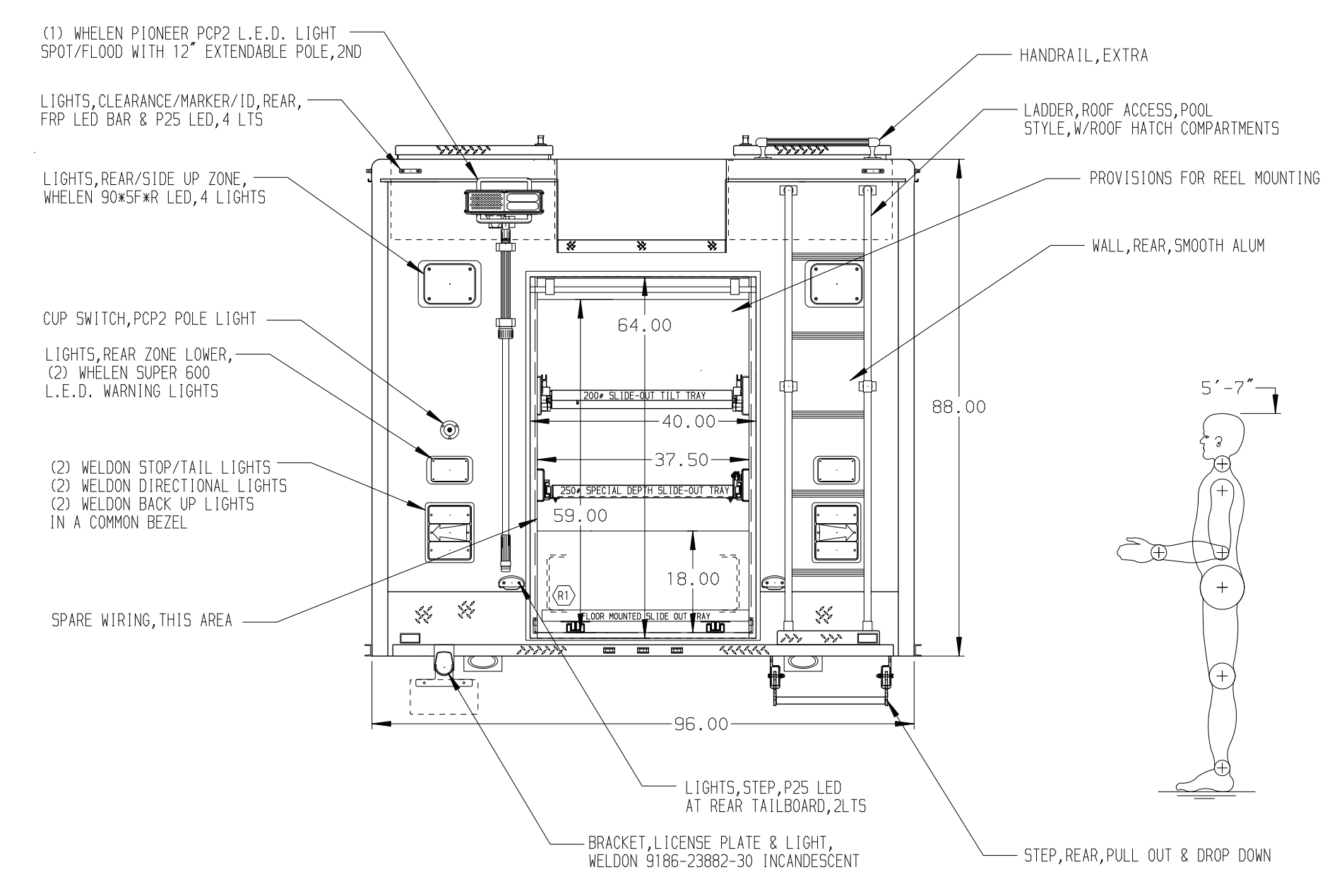
- (1) TRAY, SLIDE OUT, TILT 30°, 1/2 DEPTH OF TRANSVERSE COMPT, 200# CAPACITY
- (1) TRAY, SLIDE OUT, STD DEPTH, FLOOR MOUNTED, 500LB CAPACITY

**COMPARTMENT D3 CONTAINS:**

- (1) EXTENDED COMPARTMENT FLOORS BOLT IN STYLE
- (1) TRAY, SLIDE OUT, TWO WAY, TRANSVERSE COMPT, ADJUSTABLE HEIGHT, 500# CAPACITY
- (1) TOOLBOARD, ADDED TO SLIDE-OUT TRAY, 1/2 DEPTH TRANSVERSE & STD, TRAY NOT INCLUDED

**COMPARTMENT D4 CONTAINS:**

- (1) EXTENDED COMPARTMENT FLOORS BOLT IN STYLE
- (1) TRAY, SLIDE OUT, TILT 30°, 1/2 DEPTH OF TRANSVERSE COMPT, 200# CAPACITY
- (4) BREATHING AIR CASCADE BOTTLES



**ALUMINUM BODY**

FUEL TANK, 50GAL, ALUM, LH ONLY, FL  
DEF TANK, 6.0 GALLON, LH, FL  
STEP PACKAGE, DELUXE,  
W/DEF TANK COVER,  
ALUM 4-WAY, M2, 2DR

**NOTE**  
DIMENSIONS SHOWN ARE APPROXIMATE AND ARE SUBJECT TO MINOR DEVIATIONS AS MAY OCCUR OR BE NECESSARY IN CONSTRUCTION. MINOR DETAILS NOT SHOWN.

REV.	DATE	BY	CHK'D
29AUG16	JAF	RW1	
03MAY16	JAF	BRX	
29FEB16	JLA	BRX	
30NOV15	JAF	VMO	

<p><b>Pierce</b> MANUFACTURING INC. BRADENTON, FLORIDA</p>		JOB NO.	29664
		DATE	13NOV15
TITLE	18 FT RESCUE NON-WALKIN, W/6 HATCH COMPARTMENTS	SCALE	1:24
FOR	CENTERVILLE FIRE DEPARTMENT ANDERSON, SOUTH CAROLINA	DRAWN BY	JAF
DRWG. NO.	M2-106	CHK'D BY	RW1
		SHEET NO.	1 OF 1
		SHEET SIZE	D