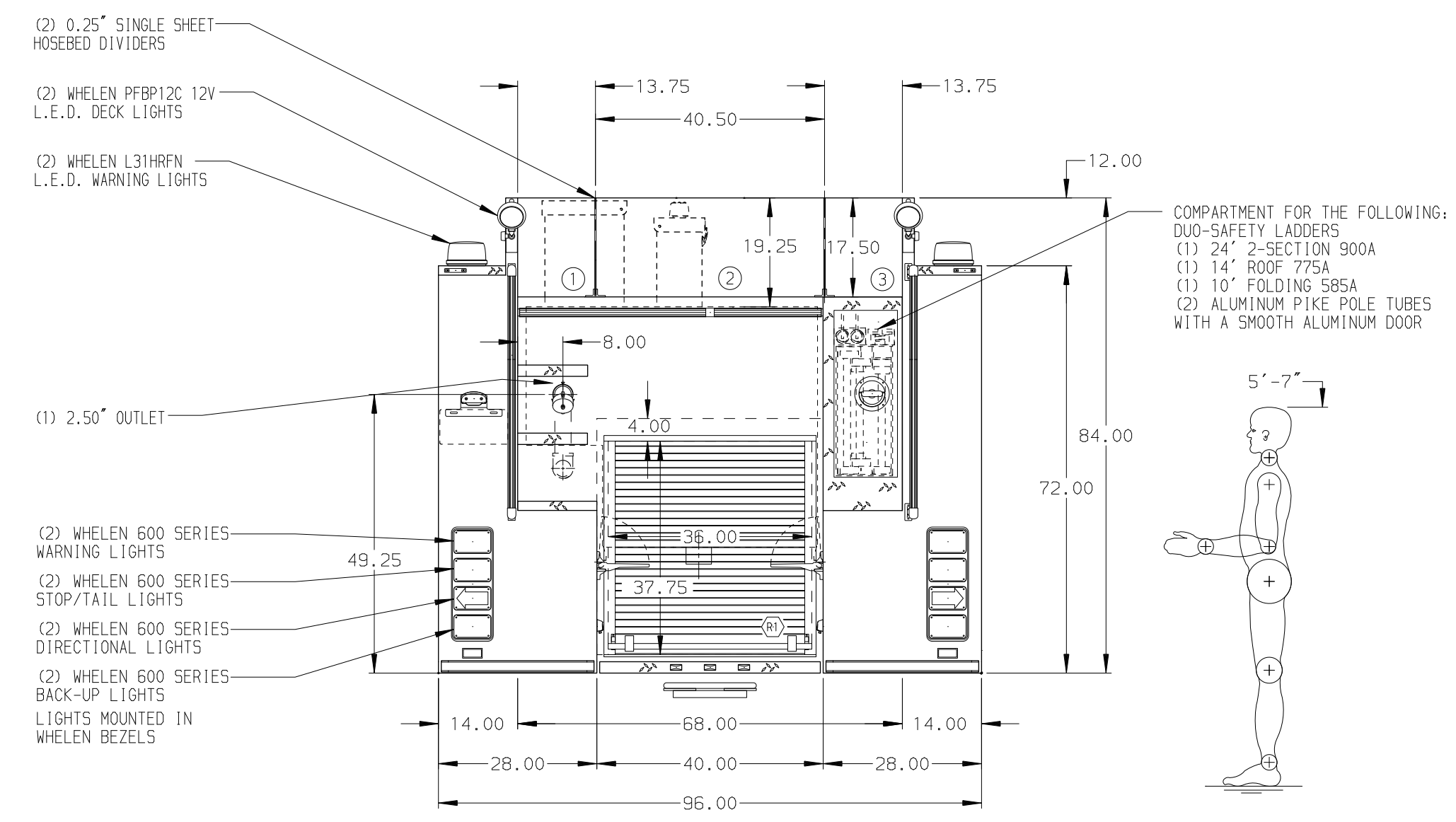
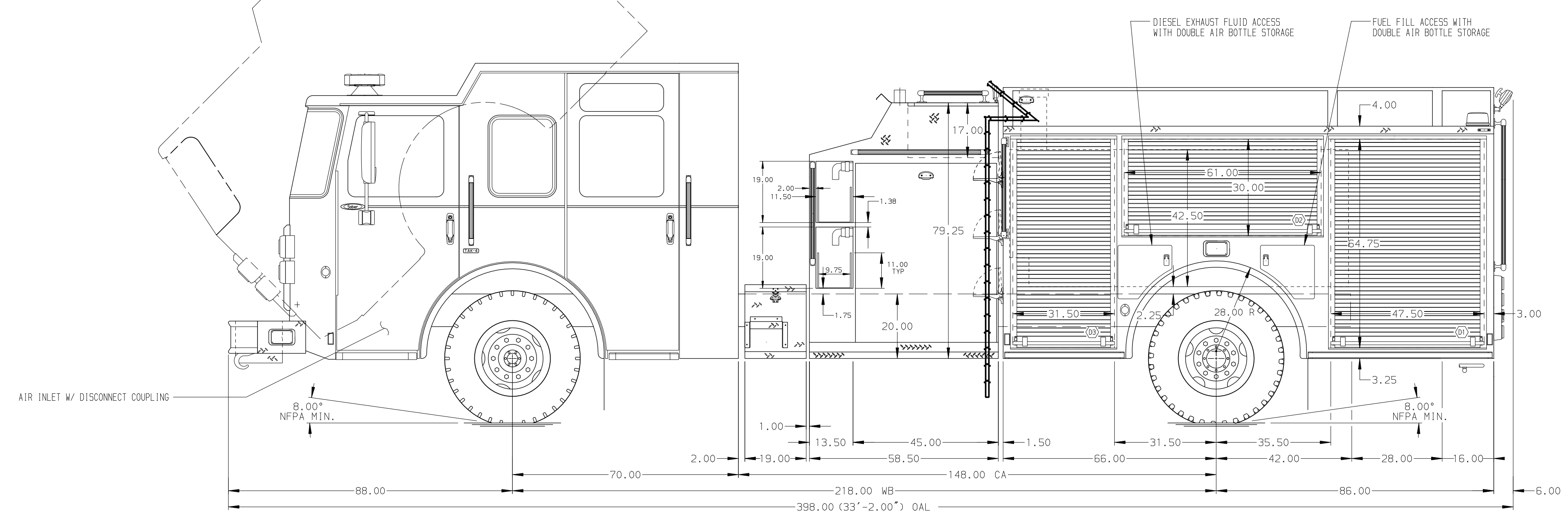


- HOSEBED CAPACITIES
- ① 500' OF 2.50" D.J. HOSE
 - ② 1000' OF 5.00" D.J. HOSE
 - ③ 500' OF 2.50" D.J. HOSE



ALUMINUM BODY

NOTE
DIMENSIONS SHOWN ARE APPROXIMATE AND ARE SUBJECT TO MINOR DEVIATIONS AS MAY OCCUR OR BE NECESSARY IN CONSTRUCTION. MINOR DETAILS NOT SHOWN.

		JOB NO.	30376
		SCALE	1:24
Pierce MANUFACTURING INC.		TITLE	1500-D-750P, 730 GAL WATER W/ 20 GAL FOAM SYSTEM 152" PUMPER BODY, TOP CONTROL, LADDERS BESIDE TANK
		FOR	PIERCE FIELD UNIT BRADENTON, FLORIDA
DWG NO. 30376AD		DRAWN BY	JAF
		CHECKED BY	CAG
REV - - - DATE - - - BY - - - CH - - -		SHEET SIZE	D
		SHEET NO.	1 OF 1